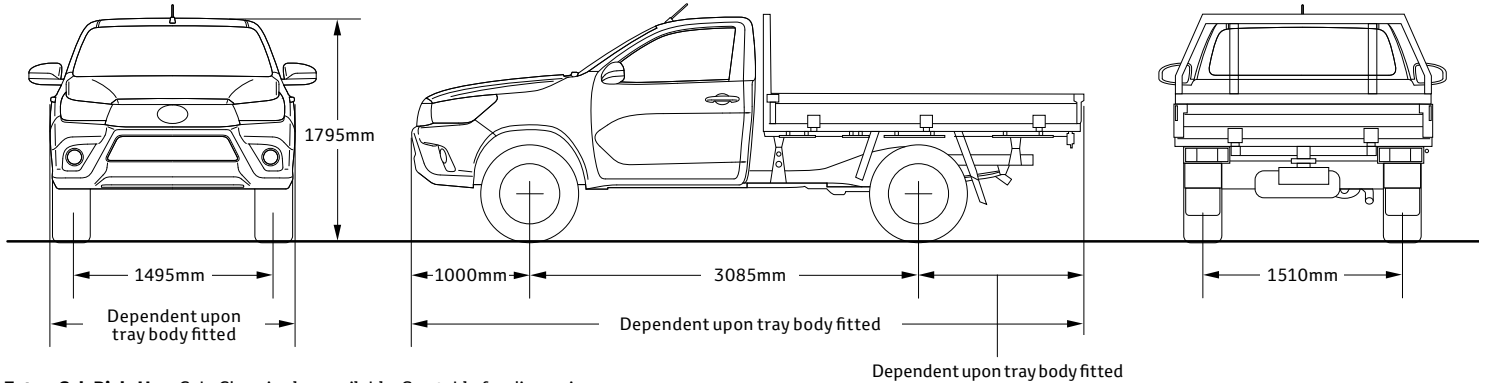


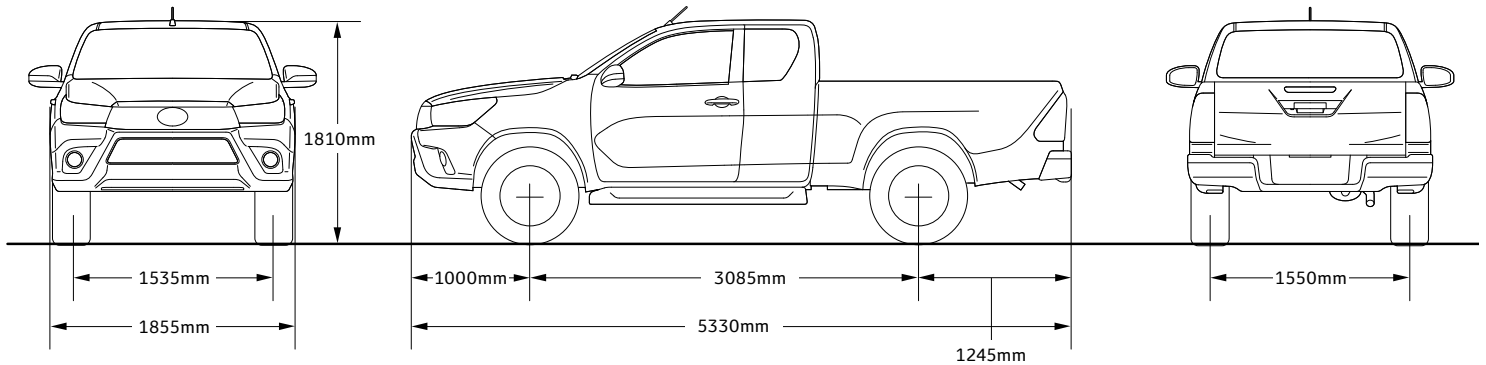
TOYOTA

HiLux 4x4

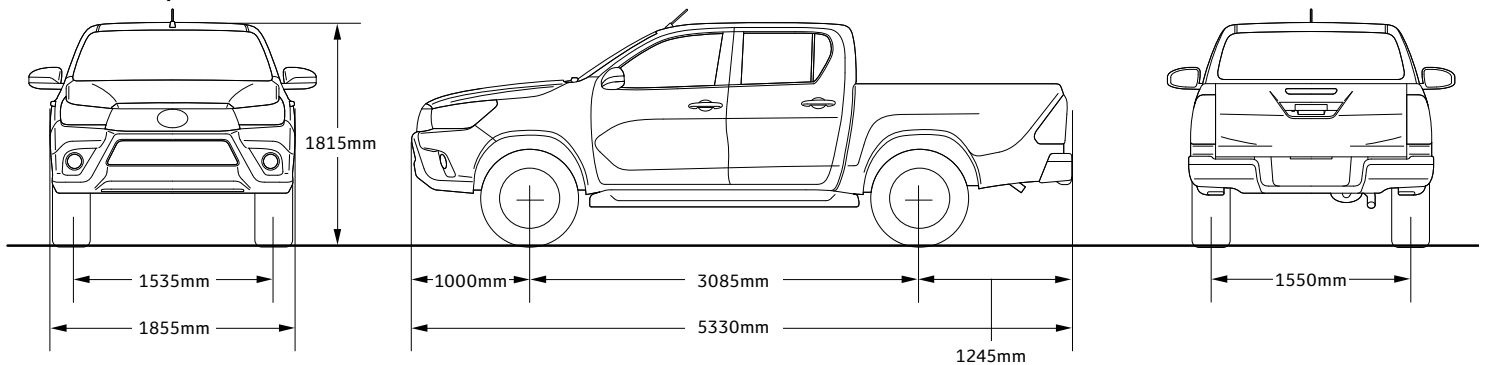
Single-Cab Cab-Chassis



Extra-Cab Pick-Up – Cab-Chassis also available. See table for dimensions.



Double-Cab Pick-Up – Cab-Chassis also available. See table for dimensions.



HiLux – 4x4		2.4L Turbo diesel		2.8L Turbo diesel	
Applicability		4x4		4x4	
Engine	Name	2GD-FTV		1GD-FTV	
	Displacement (cm ³)	2393		2755	
	Max power ¹ (kW@rpm)	110@3400		130@3400	
	Max torque ¹ (Nm@rpm)	400@1600-2000		420@1400-2600 m/t, 450@1600-2400 a/t	
	Valve train	16-valve DOHC		16-valve DOHC	
	Fuel system	Fuel injection with common rail		Fuel injection with common rail	
	Bore x stroke (mm)	92.0 x 90.0		92.0 x 103.6	
	Compression ratio	15.6:1		15.6:1	
Transmission	Type	Manual	Automatic	Manual	Automatic
	Number of ratios	6-speed	6-speed	6-speed	6-speed
	Ratios	1st 4.784; 2nd 2.423; 3rd 1.443; 4th 1.000; 5th 0.777; 6th 0.643; Rev 4.066	1st 3.600; 2nd 2.090; 3rd 1.488; 4th 1.000; 5th 0.687; 6th 0.580; Rev 3.732	1st 4.784; 2nd 2.423; 3rd 1.443; 4th 1.000; 5th 0.826; 6th 0.643; Rev. 4.066	1st 3.600; 2nd 2.090; 3rd 1.488; 4th 1.000; 5th 0.687; 6th 0.580 Rev 3.732
	Differential ratio (rear)	3.583	4.100	3.583	3.909

HiLux – 4x4		WorkMate			SR			SR5	
Body Type		Single-Cab	Extra-Cab	Double-Cab	Single-Cab	Extra-Cab	Double-Cab	Extra-Cab	Double-Cab
Lighting	Illuminated ignition switch	•	•	•	•	•	•	•	•
	Front personal lamp	•	•	•	•	•	•	•	•
Storage	Large glove box	•	•	•	•	•	•	•	•
	Front cup holder/s – in dash	•	•	•	•	•	•	•	•
	Rear cup holders – in centre console			•			•		•
	Front door pockets	•	•	•	•	•	•	•	•
	Centre console box with lid				•	•	•	•	•
Audio	6.1" colour touchscreen display with CD player and AM/FM tuner	•	•	•					
	7" colour touchscreen display with CD player and AM/FM tuner				•	•	•	•	•
	Satellite navigation ⁵ and DAB+ digital radio ⁶						Optional	•	•
	3.5" AUX input for portable audio players ⁷	•	•	•	•	•	•	•	•
	USB input for some iPod [®] /USB memory sticks ⁷	•	•	•	•	•	•	•	•
	Bluetooth [®] connectivity	•	•	•	•	•	•	•	•
	Number of speakers	2	2	2	2	4	6	4	6
	Roof mounted antenna	•	•	•	•	•	•	•	•
Safety	Anti-lock Braking System (ABS)	•	•	•	•	•	•	•	•
	Vehicle Stability Control (VSC)	•	•	•	•	•	•	•	•
	Traction Control (TRC)	•	•	•	•	•	•	•	•
	Electronic Brake-force Distribution (EBD)	•	•	•	•	•	•	•	•
	Brake Assist ¹⁰ (BA)	•	•	•	•	•	•	•	•
	Reversing camera ¹⁰ (Pick-Up only)			•			•	•	•
	Hill-start Assist Control ¹⁰	•	•	•	•	•	•	•	•
	Downhill Assist Control ¹⁰ (Pick-Up automatic only)						•	•	•
	Emergency Stop Signal (ESS)	•	•	•	•	•	•	•	•
	Driver and front passenger SRS airbags	•	•	•	•	•	•	•	•
	Seat mounted driver and front passenger side SRS airbags	•	•	•	•	•	•	•	•
	Driver and front passenger seatbelt warning buzzer	•	•	•	•	•	•	•	•
	Driver and front passenger pre-tensioner seatbelt	•	•	•	•	•	•	•	•
	3-point seatbelt for rear outer seating positions	N/A	•	•	N/A	•	•	•	•
	3-point seatbelt for rear centre position	N/A	N/A	•	N/A	N/A	•	N/A	•
	Door ajar warning light	•	•	•	•	•	•	•	•
	Front door anti-intrusion beams	•	•	•	•	•	•	•	•
	Collapsible steering column	•	•	•	•	•	•	•	•
	Rear differential lock				•	•	•	•	•
	Engine immobiliser	•	•	•	•	•	•	•	•
Security	Alarm							•	•
	Power door locks	•	•	•	•	•	•	•	•
	Remote keyless entry	•	•	•	•	•	•	•	•
	Lockable glove box	•	•	•	•	•	•	•	•

- 1 Power and torque test standards differ. Ensure comparisons use same test standard.
- 2 Vehicle weights/mass and dimensions are approximate and subject to individual vehicle variances. Vehicles should be individually weighed and measured before fitting any accessories, towing or designing any compatible trailer/caravan or otherwise using the vehicle in any way that depends on this value.
- 3 Towing capacity is subject to regulatory requirements, towbar and vehicle design and towing equipment limitations. Ask your Dealer for Toyota Genuine Towbar capacity and availability details.
- 4 Toyota Link is available on certain vehicle models and grades only. Toyota Link services rely on data from the driver's compatible

- mobile phone and information provided by third parties. Availability is dependent on a number of factors, including the availability of third party information, mobile service, sufficient mobile data allowance and GPS satellite signal reception. Mobile usage is at the user's cost. Toyota Australia reserves the right to add, remove or modify applications. Compatibility with smartphones will vary according to model and operating system. Further information (including smartphone compatibility) is provided at toyota.com.au/toyotalink
- 5 Current navigation mapping database encompasses major capital and primary national road networks and offers some coverage in regional areas. Available on current SR5.

- 6 Digital radio station coverage dependent on vehicle location.
- 7 Not all devices will be compatible. Functionality varies depending on device.
- 8 iPod[®] is a trademark of Apple, Inc. Not all devices will be compatible and functionality will vary depending on the device.
- 9 The Bluetooth[®] word mark is owned by Bluetooth SIG, Inc. Not all devices will be compatible and functionality.
- 10 Brake Assist/Reversing camera/Hill-start Assist Control/Downhill Assist Control is a driver assist feature only and not a substitute for safe driving practices. Driver remains responsible at all times for safe driving.

IMPORTANT NOTICE – PLEASE READ: Toyota Australia uses its best endeavours to ensure material is correct when published. Check with your authorised Toyota dealer when ordering to ensure the vehicle with your chosen specifications, equipment and colour is available and can be delivered within the timeframe suitable to you. When ordering accessories, check with your authorised Toyota dealer to ensure the accessory's design, features and colours are available and fit your vehicle. Ensure the mass of your load does not exceed the maximum allowable individual axle capacity,

Gross Vehicle Mass and/or Gross Combined Mass of the vehicle. Refer to toyota.com.au for further details. Colours displayed are a guide only and may vary from actual colours due to printing/display processes. Certain accessories when fitted will require the removal of standard equipment, which may be retained by Toyota Australia or your Toyota dealer. Toyota Australia reserves the right to change, without notice, prices, colours, materials, equipment, specifications and discontinue colours/models. To the extent permitted by law, Toyota Australia will not be liable for any

damage, loss or expense incurred as a result of reliance on this material in anyway. Distributed nationally (other than in Western Australia) by Toyota Motor Corporation Australia Limited ABN 64 009 686 097, 155 Bertie St, Port Melbourne 3207. Material distributed in Western Australia by or on behalf of Prestige Motors Pty Ltd (for vehicles) and by Eastpoint Pty Ltd (for parts/accessories). Toyota Australia makes no warranties regarding (and will not be liable for) accuracy of materials distributed in Western Australia. PROOF HQ: T2017-008199, OCTOBER 2017, GTO1869.