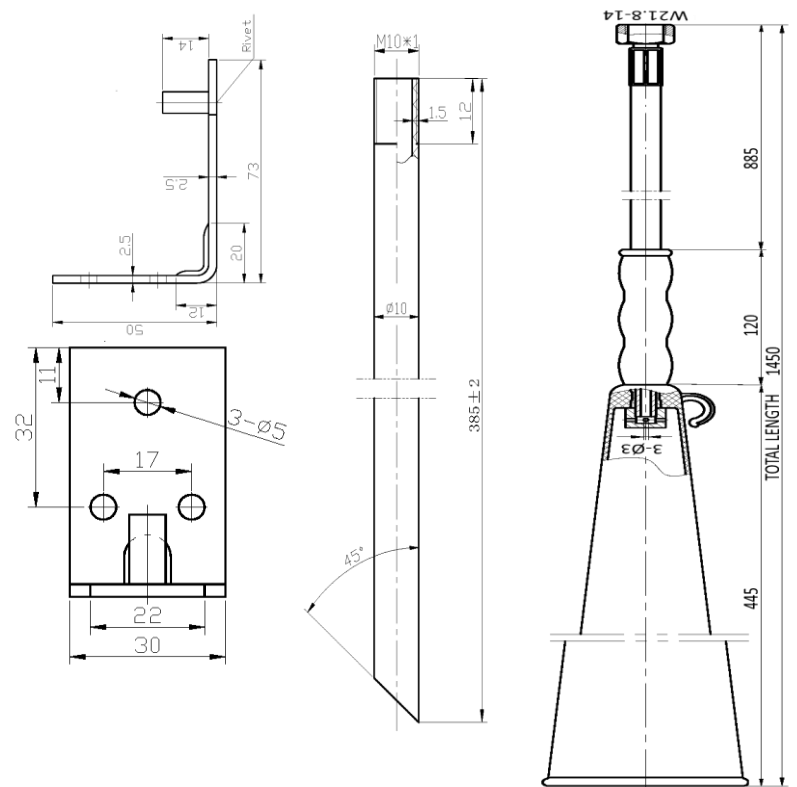


Hanger Loop



Mark

ECCO 3.5KG CO2 PE25MPA PS15MPA F FAB XX/2018 SERIAL NUMBER-B

- Notes:
- Cylinder - Burst Disc 26 MPa
  - Cylinder - Test Pressure 25 MPa
  - Valve - Leak Test (30 Sec) 10 MPa
  - Valve - Test Pressure (60 Sec) 31 MPa
  - Powder Coated Red
  - Overall Length of Hose & Nozzle Assembly - 1450mm
  - All measurements shown are in mm
  - All Bracket Back Holes are 7mm

Advocavi S.A.				
Drawn By PM	Approved By	Title 3.5 kg CO2 Fire Extinguisher	Drawing No NF35CO2	Rev. C
Scale No	Date 05-04-19			