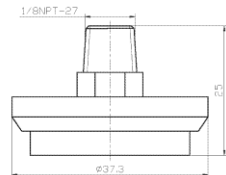
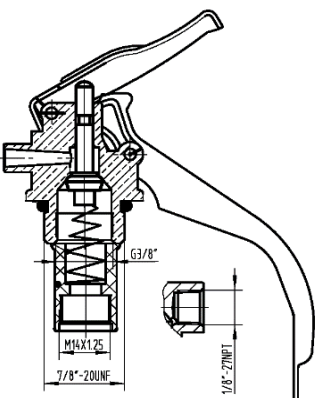
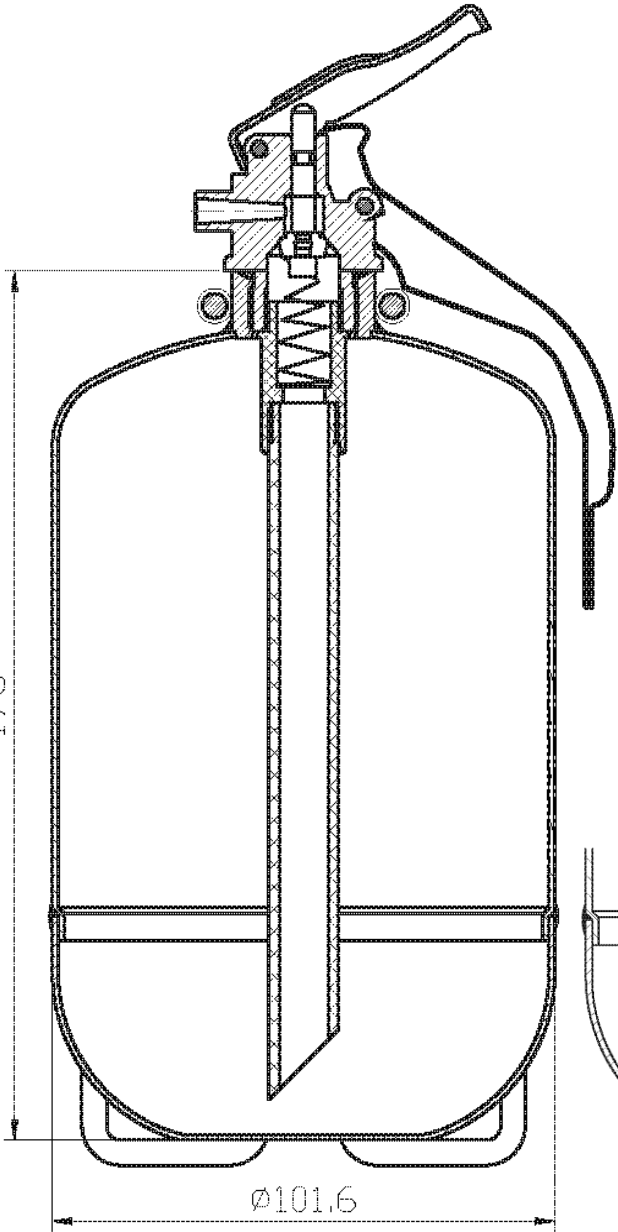
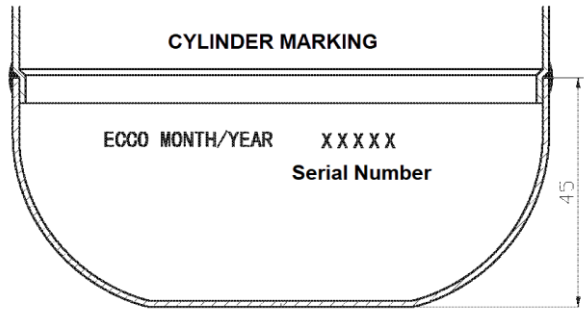


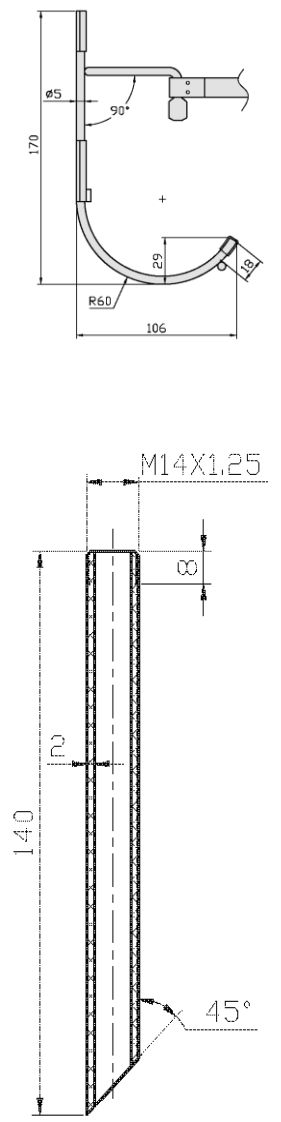
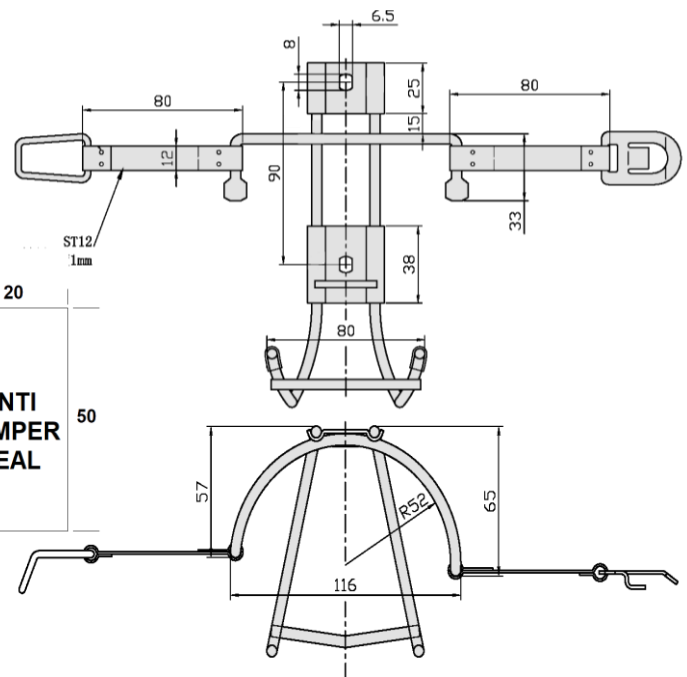
175



**CYLINDER MARKING**



20  
50  
**ANTI TAMPER SEAL**



- Notes:
- Cylinder - Min Burst Pressure 5.0 MPa
  - Cylinder - Test Pressure 1.8 MPa
  - Valve - Leak Test (30 Sec) 1.5 MPa
  - Valve - Test Pressure (60 Sec) 2.7 Mpa
  - Powder Coated (RAL 3000) Min 0.07mm
  - All measurements shown are in mm
  - All Bracket Back Holes are 6mm
  - Anti Tamper Seal 20 x 50 mm White/Black Printing
  - Bracket complete with Strap

Advocavi S.A.					
Drawn By	Approved By	Title		Drawing No	Rev.
PM		1.0 kg ABC Fire Extinguisher		NF1SS	A
Scale	Date				
	05-04-19				