



**GETZ EQUIPMENT INNOVATORS
SYSTEM DUST 120V ECONOMY
PART NUMBER: 4G59542**

OPERATING AND INSTRUCTION MANUAL



2320 Lakecrest Drive, Pekin IL 61554
PH. (888) 747-4389 • Fax (309) 495-0625
Website: www.getzequipment.com

LIMITED WARRANTY

Getz Equipment Innovators warrants its products, and component parts of any product manufactured by Getz Equipment Innovators, to be free from defects in material and workmanship for a period of twelve (12) months from the date of purchase. During the warranty period, any such defects will be repaired or the defective parts replaced **(at Getz Equipment Innovators' option)**. The warranty does not cover defects resulting from modification, alteration, misuse, exposure to corrosive conditions, extremely high temperatures, improper installation or maintenance. Warranties on component items not manufactured by Getz Equipment Innovators are provided by others whose warranty, evaluation and judgment will be final.

All implied warranties, including, but not limited to, warranties of fitness for purpose and merchantability, are limited to the time periods as stated above. In no event shall Getz Equipment Innovators be liable to incidental or consequential damages. Some states do not allow limitations on how long an implied warranty lasts or the exclusions or limitation of incidental or consequential damages, so that the above limitations or exclusions may not apply to you. Getz Equipment Innovators neither assumes nor authorizes any representative or other person to assume for it any obligation or liability other than as expressly set forth herein.

Mobile Service Vehicles:

The warranty does not cover:

- Defects in the chassis and or power unit
- Defects in separately manufactured products not produced by Getz Equipment Innovators
- Deterioration due to normal wear, tear, and exposure
- Repairs made necessary by negligent use, misuse, abuse, loading the service vehicle beyond its gross vehicle weight limitations, accident, acts of God, or other contingencies beyond the control of Getz Equipment Innovators.
- Repairs deemed necessary by reason of the failure to follow ordinary maintenance procedures.
- Repairs deemed necessary by reason of alterations done without Getz Equipment Innovators' written approval.

Warranty Service:

- All warranty repairs will be performed by Getz Equipment Innovators in Pekin, IL, unless otherwise authorized by Getz Equipment Innovators.

Freight:

- Getz Equipment Innovators will not be liable for shipping or transportation charges to or from customer's location.

This warranty gives you specific legal rights, and you may also have other rights which vary from state to state. To obtain performance to the obligation of the warranty, write to Amerex Corp dba Getz Equipment Innovators, 2320 Lakecrest Drive, Pekin IL 61554, USA for instructions.

TABLE OF CONTENTS

1.....	HAZARDS
2.....	INTRODUCTION
3.....	SET-UP
4.....	OPERATION
5.....	DIAGRAM
6.....	PARTS LIST

HAZARDS

Operating the dust collection system involves certain known hazards.

EXPLOSION HAZARD: *Do not operate this system where flammable vapors are present.*

FIRE HAZARD: No sparks should be allowed to enter the machine. Mixing chemically reactive materials should be avoided. Personnel should never allow smoking or smoldering materials to enter the machine. Avoid using or storing combustible materials near this machine. A properly installed fire suppression system can minimize the risk of damage.

HIGH VOLTAGE HAZARD: *Dust collection system operates on 120 volts AC. All service personnel should be aware of this fact and should have adequate training before any repairs are attempted on the equipment. All repairs are to conform to National Electrical Code (NEC) electrical standards.*

ROTATING MACHINERY HAZARD: The fan inside this unit is rotating at 1740-3600 rpm. The electrical power source must be disconnected and the power switch locked out prior to attempting repairs. Allow the unit to fully stop before any entry is made into the fan compartment below the dust collection filters.

INTRODUCTION

IMPORTANT!!!

This manual contains specific information concerning safety and precautionary measures in some sections. Read this manual thoroughly and comply with each section while using the most stringent safety precautions.

The electrical requirements for the dust collection system are 120 volts on a 15 or 20 amp circuit.

The dust collection system reduces the amount of airborne dust particles floating in air when servicing dry chemical fire extinguishers.

1. Using this system for any purpose other than dry chemical fire extinguisher agents will void all expressed and implied warranties.

WARNING

All electrical work should be done by licensed electricians in accordance with the National Electrical Code.

2. Installing a ground fault interrupter receptacle outlet in the power supply source prior to utilizing this system reduces the chance of electrical shock.
4. *Do not operate this system without the filter (item 24) or filters (if secondary filter is used) installed and properly seated.*
5. Discarded filter media must be disposed of in compliance with local, state, and federal codes.

SET-UP

INSPECTION

As soon as the shipment is received, it should be carefully inspected to make certain that the equipment has arrived in good condition. Even though the equipment is mounted on heavy shipping skids at our plant, it is possible for it to be damaged in shipment. All damages and shortages should be noted on the Bill of Lading and purchaser should take steps to file reports and damage claims to the carrier. Any damage incurred to a unit is the responsibility of the carrier, since it is the manufacturer's policy to make shipments FOB its factory i.e. ownership passes to the purchaser when the unit is loaded and accepted by the driver. Any claims for transit damage or shortage must be brought against the carrier by the purchaser.

UNLOADING RECOMENDATION

A forklift is recommended for unloading and placement of the system.

SET-UP

Remove the rubber mat covering the metal grate and examine the filter (item 24) or filters (if secondary filter is used) to be sure the filter or filters are laying flat on the sponge rubber seal material to ensure an adequate seal against dust leakage.

Install any (optional) tool holders, nitrogen regulators, blow guns and any other extinguisher service tools on the back wall of the system marked as C.

Side panels on the dust collection system item A & B can be unbolted and swung open to accommodate equipment to the sides of the system. Opening the side panels will reduce the pull of air borne dust particles from the front of the system and will equally pull from the front and sides of the system.

OPERATING INSTRUCTIONS

1. Move the power switch item (11) to the on position and adjust the angle position of the air louvers on item (13) to direct the air flow out of the system in the most beneficial direction.
2. The magnahelic gauge item (24) will monitor the efficiency of the filter media to collect dust particles.
3. Changing filters on the recommended interval will keep the efficiency of the system at the maximum level and will extend the service life of the blower motor.
4. **Recommended Filter Element Change (Single Filter)**
When the system is operating check the magnahelic gauge (item 19), if the gauge reading is above 1.2 the filter Item (24) needs to be replaced. Primary Filter Part Number: 53898.

Recommended Filter Element Change (Dual Filter)

When the system is operating check the magnahelic gauge (item 19), if the gauge reading is above 1.3, the filter Item (24) needs to be replaced and the secondary filter checked for cleanliness. The secondary filter is optional and is not part of the main system. (Part Number: 53899) *The benefit of having the secondary filter is improved filtration. (Hepa Filter)*

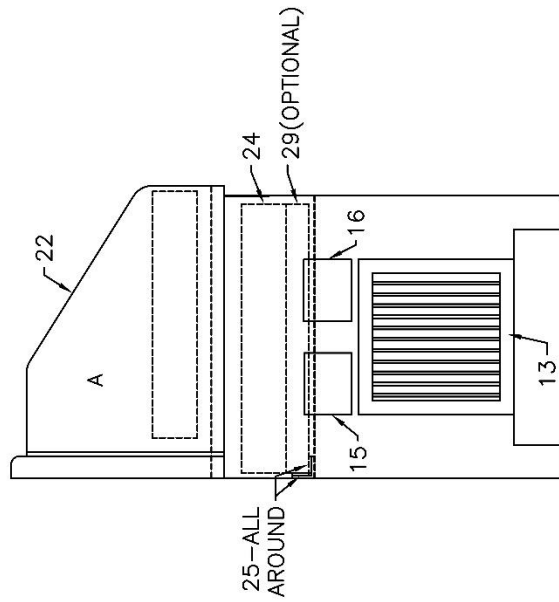
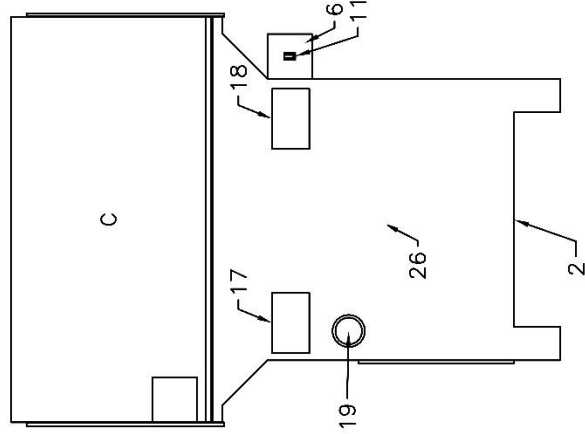
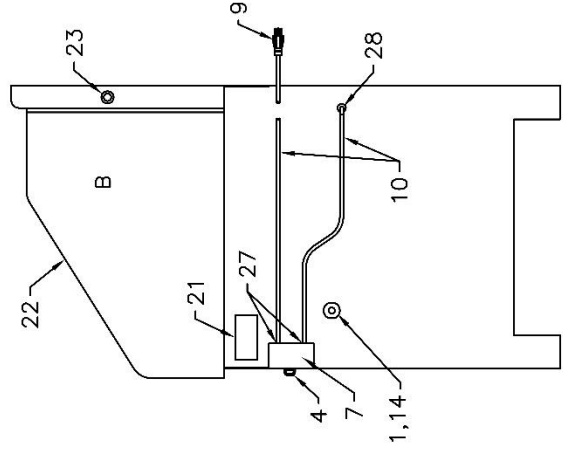
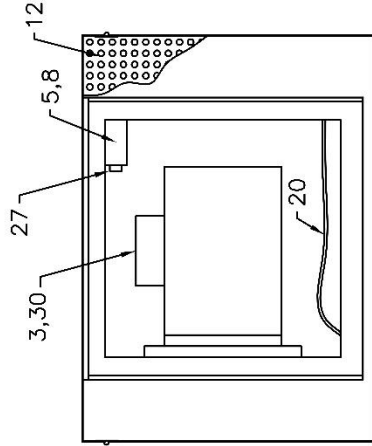
Caution, running the system with clogged or missing filters will result in overheating or damage to the blower motor.

5. **Optional Secondary Filter Installation**

Install the optional secondary filter below the primary filter (item 24).

ITEM	PART#	DESCRIPTION	UM	QPA
15	1G54027	LABEL CAUTION FIMBLELTR DUST COLLECTION	EA	1
16	1G54028	LABEL CAUTION MVING PARTS DUST COLLECTION	EA	1
17	1G54029	LABEL ATTN PRESS DUST COL	EA	1
18	1G54030	LABEL DANGER HIGH VOLTAGE DUST COLLECTION	EA	1
19	1G53929	GAUGE MAGNA DUST SYS 53873	EA	1
20	1G54062	HOSE CLR VINYL 3/16	FT	2
21	1G54033	DECAL SERIAL NUMBER ELEC	EA	1
22	1G53434	SEAL RUBBER DCX20	FT	6
23	1G53933	GROMMET RUB DUST SYS	EA	1
24	1G53898	FLTR PRIMARY DUST SYS ECONO	EA	1
25	1G54066	SEAL FOAM RUBBER	FT	16
26	1G53908	DECAL DUST COLLECTION SMALL	EA	1
27	1G51228	CONN 2 SCREW	EA	3
28	1G53550	CONN 3/8 90 CONDUIT HOTBOX	EA	1
29	1G53899	FLTR SECONDARY DUST SYS ECONO	EA	1
30	1G54353	BOOT CAPACITOR DUST COL RUB	EA	1

ITEM	PART#	DESCRIPTION	UM	QPA
1	1G54144	FTNG PLAS BLKHD TANK 1/4 NPT	EA	1
2	1G54045	FRAME DUST SYSTEM	EA	1
3	1G54419	BLOWER DUST SYSTEM NEW	EA	1
4	1G54047	GUARD SWITCH LOCK	EA	1
5	1G54051	BOX CONDUIT 4 X 4 X 1.5	EA	1
6	1G54052	SWITCHPLATE 4 X 4	EA	1
7	1G54053	BOX CONDUIT 4X4X2.125	EA	1
8	1G54054	COVER CONDUIT BOX	EA	1
9	1G53535	PLUG ELECTRIC 15 AMP	EA	1
10	1G53534	CORD ELECTRIC 12/3 20 AMP	FT	13
11	1G54057	SWITCH PWR TOGGLE DUST SYS	EA	1
12	1G54059	MAT RUBBER DUST SYS	EA	1
13	1G53283	GRATE 12 X 12	EA	1
14	1G54061	BARB HOSE BR 3/16 X 1/4	EA	1



3G59542 DUST COLLECTOR REPLACEMENT PARTS LIST

BLOWER: 1G54419

CAPACITOR: 1G54353

PRIMARY FILTER: 1G53898

SECONDARY FILTER: 1G53899

MAGNAHELIC GAUGE: 1G53929

POWER SWITCH: 1G54057

MAGNAHELIC TUBE: 1G54062

RUBBER MAT: 1G54059

SIDE GRATE: 1G53283