



A DIVISION OF GETZ FIRE EQUIPMENT

MODEL HBX-1
P/N 3G59332

LIMITED WARRANTY

Getz Equipment Innovators warrants its products, and component parts of any product manufactured by Getz Equipment Innovators, to be free from defects in material and workmanship for a period of twelve (12) months from the date of purchase. During the warranty period, any such defects will be repaired or the defective parts replaced (**at Getz Equipment Innovators' option**). The warranty does not cover defects resulting from modification, alteration, misuse, exposure to corrosive conditions, extremely high temperatures, improper installation or maintenance. Warranties on component items not manufactured by Getz Equipment Innovators are provided by others whose warranty, evaluation and judgment will be final.

All implied warranties, including, but not limited to, warranties of fitness for purpose and merchantability, are limited to the time periods as stated above. In no event shall Getz Equipment Innovators be liable to incidental or consequential damages. Some states do not allow limitations on how long an implied warranty lasts or the exclusions or limitations of incidental or consequential damages, so that the above limitations or exclusions may not apply to you. Getz Equipment Innovators neither assumes nor authorizes any representative or other person to assume for it any obligation or liability other than as expressly set forth herein.

Mobile Service Vehicles:

The warranty does not cover:

- Defects in the chassis and or power unit
- Defects in separately manufactured products not produced by Getz Equipment Innovators
- Deterioration due to normal wear, tear, and exposure
- Repairs made necessary by negligent use, misuse, abuse, loading the service vehicle beyond its gross vehicle weight limitations, accident, acts of God, or other contingencies beyond the control of Getz Equipment Innovators
- Repairs deemed necessary by reason of the failure to follow ordinary maintenance procedures
- Repairs deemed necessary by reason of alterations done without Getz Equipment Innovators' written approval.

Warranty Service:

- All warranty repairs will be performed by Getz Equipment Innovators in Pekin, IL, unless otherwise authorized by Getz Equipment Innovators.

Freight:

- Getz Equipment Innovators will not be liable for shipping or transportation charges to or from customer's location.

This warranty gives you specific legal rights, any you may also have other rights which vary from state to state. To obtain performance to the obligation of the warranty, write to Getz Equipment Innovators, 2320 Lakecrest, Pekin, IL 61554, USA for instructions.

TABLE OF CONTENTS

1. INTRODUCTION/SYSTEM REQUIREMENTS/SAFETY
2. OPERATING INSTRUCTIONS
3. TROUBLESHOOTING GUIDE
4. PARTS LIST
5. PARTS LIST
- 6-10. PARTS DRAWINGS

INTRODUCTION

The Getz Model HBX-1 cylinder dryer is designed to control the outer shell temperature while blowing hot air inside the cylinder. By controlling heat dissipation from the outer shell we can reach the maximum NFPA recommended temperature of 150° F much faster than open-air style dryers, reducing drying time. By controlling the internal box temperature, cylinders being dried should not exceed the recommended 150° F as stated in NFPA. The internal compartment is constructed of galvanized steel and high impact plastic for years of service.

SYSTEM REQUIREMENTS

(Dedicated Circuit)

1. 120AC 60 HERTZ
15 AMPS

SAFETY EQUIPMENT

1. Gloves are recommended cylinders can reach a temperature of 150° F.
2. Safety glasses

OPERATING INSTRUCTIONS

CAUTION!!!! CYLINDERS ARE HOT WHEN REMOVED!!!!

1. Preheating before drying can begin, plug the power cord (#33) into a dedicated 15 amp receptacle. Push the reset button on the GFI (#6) and flip the toggle switch (#8) to the up (ON) position. Rotate the heat control knob (#34) all way to the right side of the heat control label (#38). This will allow the internal temperature of the box to reach over 150 degrees Fahrenheit, watch the temperature indicator (#3). When temperature indicator reaches around 155° F, rotate the heat control label until 145° F is shown on the temperature indicator. (This may take 10 minutes to get the temperature steady) no further adjustment should be needed as long as temperature indicator does not exceed 150° F.
2. Thoroughly empty the extinguisher to be dried of as much water as possible.
3. Place the hole in the neck of the extinguisher over the air flow tubes (#18).
4. Drying time will depend on the wall thickness of the cylinder. You can expect an average time of ten minutes.
5. Remove the cylinder from the dryer; use a cylinder inspection light to inspect for any remaining water inside the cylinder. Any remaining water that may have puddled at the valve collar should be rolled along the inside of the cylinder to allow it to evaporate. Cylinder will need to be put back in the dryer if water is apparent.

TROUBLESHOOTING GUIDE

WARNING: DANGER OF ELECTRICAL SHOCK! A QUALIFIED ELECTRICIAN SHOULD REPAIR THIS EQUIPMENT.

PROBLEM

SOLUTION

Air is cold.

Heating element broken.
Replace with P/N 1G0498

Temp. Control out of adjustment.
Adjust to 150° F

Temp. Adjust defective.
Replace with P/N 1G53298

Thermal protection switch defective
Replace

Air not blowing.

Blower motor not running

Toggle switch defective
Replace P/N 1G51863

Blower motor defective
Replace with P/N 1G53275

PARTS LIST

1. 1G53275.....BLOWER
2. 1G0498.....HEATING ELEMENT
3. 1G53277.....THERMOMETER & GAUGE
4. 1G53532.....GFI
5. 1G53279.....STYROFOAM INSULATION
6. 1G53280.....POWER LIGHT
7. 3G59684.....SPRING GAS LID LIFTER HOT BOX
8. 1G51863.....ON/OFF SWITCH
9. 1G53542.....PANEL LEFT SIDE
10. 1G53283.....GRATE
11. 1G53285.....BOTTOM FRAME
12. 1G53286.....TOP FRAME
13. 1G53287.....CORNER ANGLE
14. 1G59387.....LID COMPLETE
15. 1G53289.....LEFT CORNER ANGLE
16. 1G53291.....POLYETHYLENE BASE
17. 1G53292.....STAND OFFS
18. 1G53530.....CPVC TUBE 3/4 X 6
19. 1G53294.....TUBE MOUNTS
20. 1G53296.....CABLE CLAMP NUTS
21. 1G0179.....HINGE
22. 1G53297.....DRYER BOX
23. 1G53549.....GFI OUTLET BOX
24. 1G53548.....GFI COVER
25. 1G53298.....PHASE CONTROL
26. 1G53299.....POTENTIOMETER
27. 1G51828.....SWITCH SPLASHCOVER
28. 1G53455.....RUBBER CASTER WITH BRAKE
29. 1G53457.....DRYER VENT
30. 1G53458.....RIGHT CORNER ANGLE
31. 1G53534.....ELECTRIC CORD
32. 1G51228.....2 SCREW CONNECTOR
33. 1G53535.....ELECTRIC PLUG
34. 1G53491.....POTENTIOMETER KNOB
35. 1G0169.....SERIAL NUMBER DECAL
36. 1G53543.....PANEL RIGHT SIDE
37. 1G53513.....BLANK ANGLE
38. 1G53494.....ARROW DECAL
39. 1G53504.....HBX-1 LABEL
40. 1G53505.....GETZ

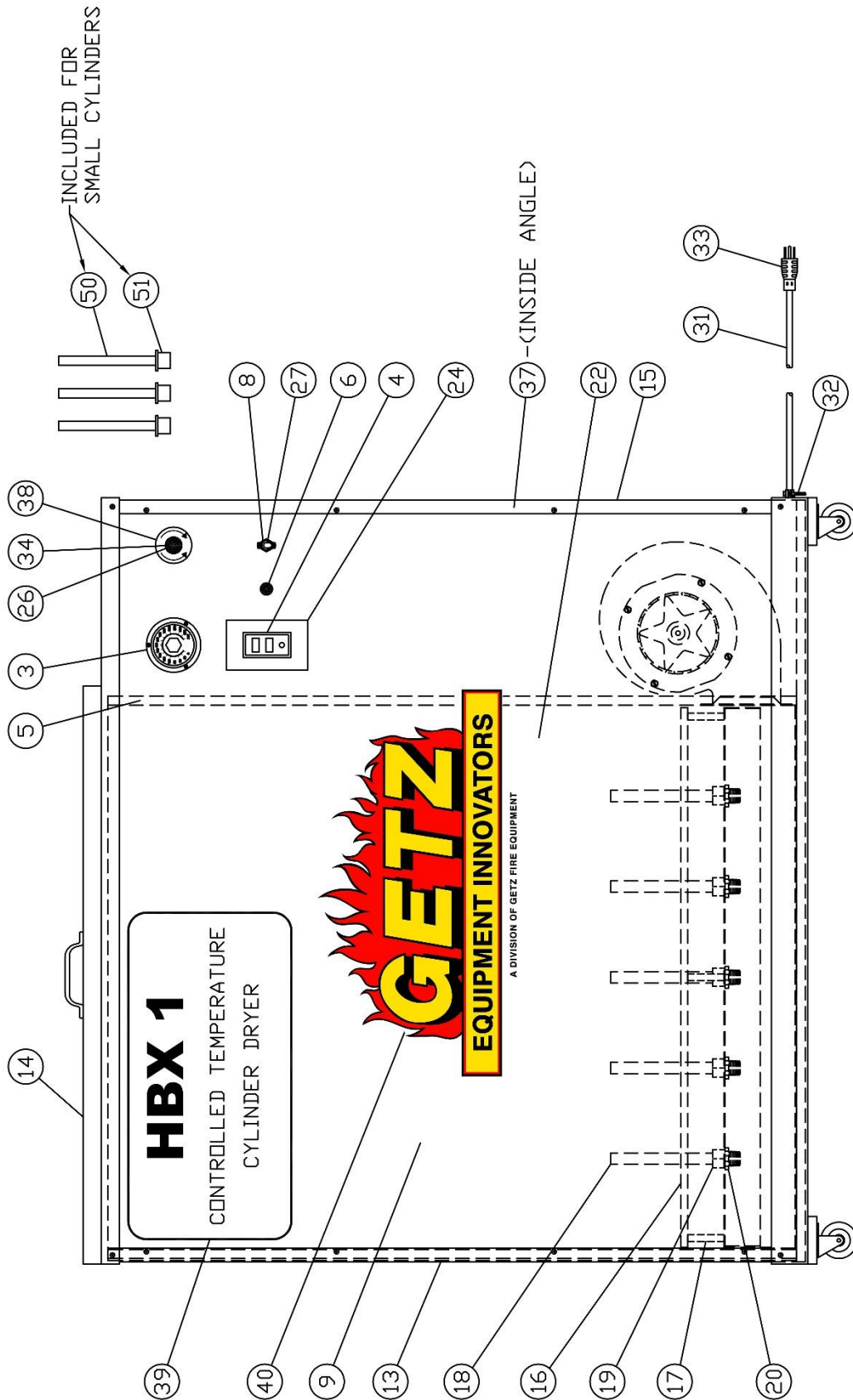
PARTS LIST-CONTINUED

- 41. 1G53541.....PANEL REAR
- 42. 1G53529.....AIR FILTER
- 43. 1G53540.....PANEL FRONT
- 44. 1G53531.....LIMIT CONTROL SWITCH
- 45. 1G53526.....GROMMET
- 46. 1G53536.....ANGLE BRACKET
- 47. 1G53550.....CONDUIT CONNECTOR
- 48. 1G53551.....INSULATION
- 49. 1G53527.....THERMOCOUPLE GRIP
- 50. 1G53293.....CPVC TUBE 1/2 X 6
- 51. 1G53537.....ADAPTER PVC 3/4 TO 1/2

FRONT

LEFT SIDE VIEW

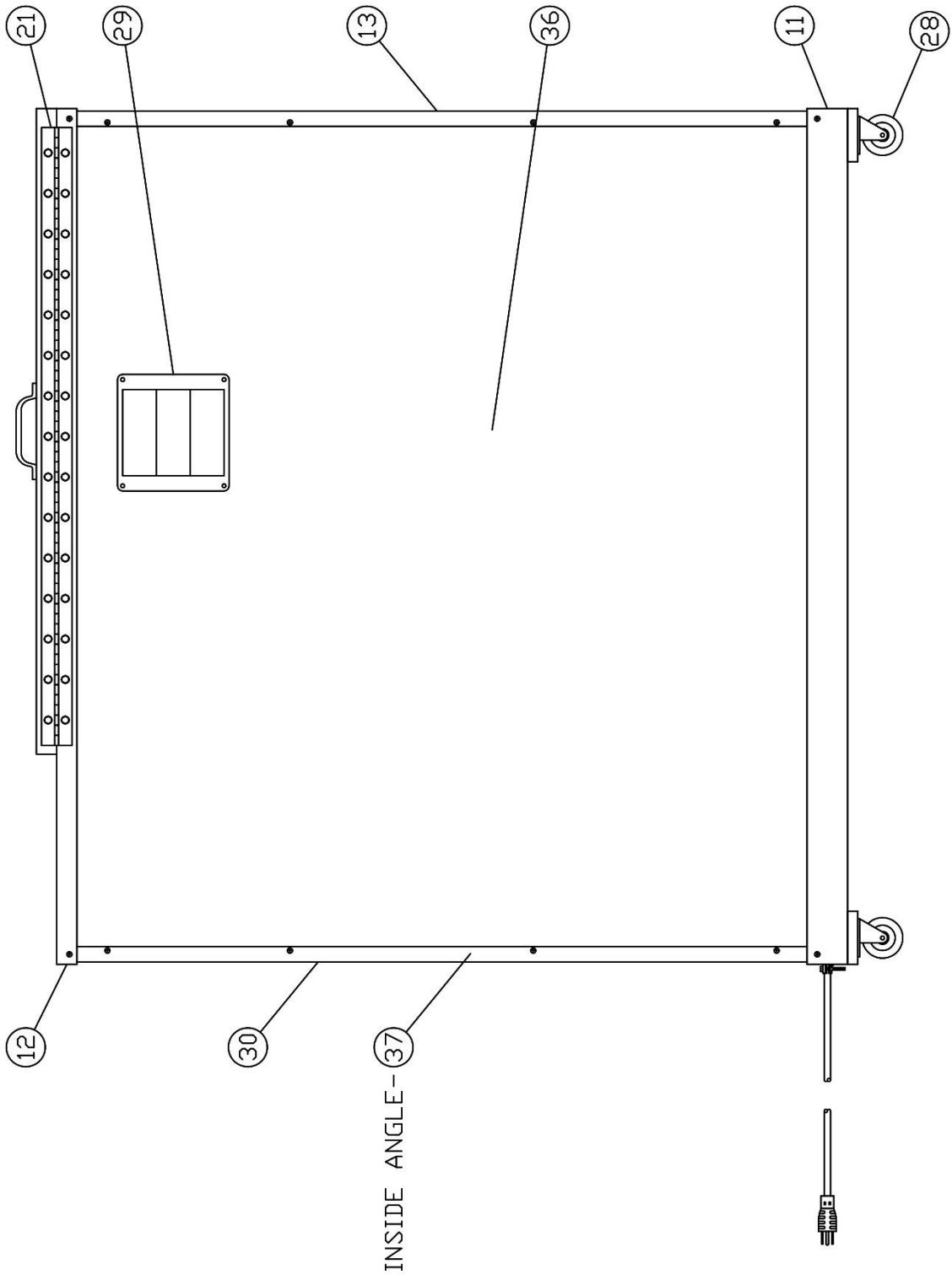
REAR



FRONT

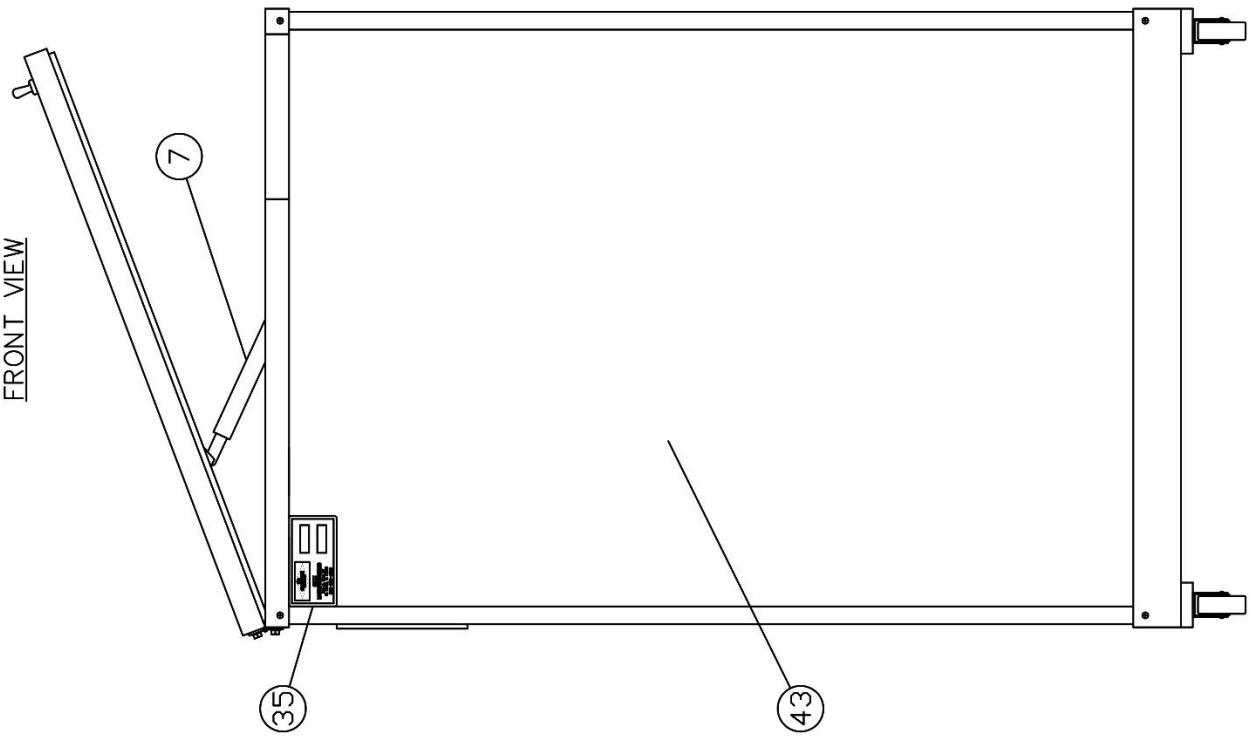
RIGHT SIDE VIEW

REAR



LEFT SIDE

FRONT VIEW



RIGHT SIDE

