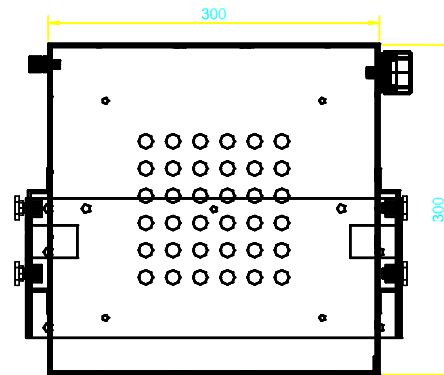


Notes :

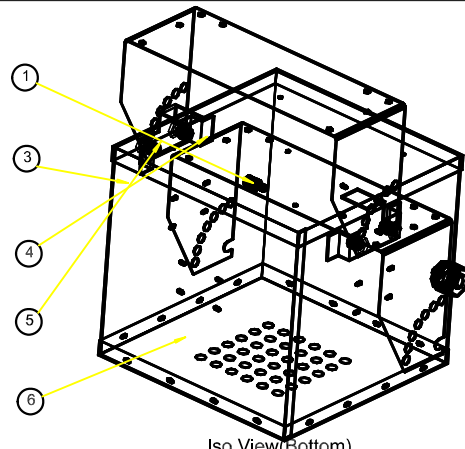
- 1 Dimensions 300 x 300 x 300mm Excl Bracket
- 2 Weight 26.4kg Excl Bracket
- 3 Aerosol Cabinet Material - SS 304L
- 4 HD Bracket Material - 2.5mm SS316
- 5 Std Bracket Material - 1.5mm SS304L
- 6 Transorb installed in Electrical Units - Aust Only

Rev	Drawing Change	by	Date
CRITICAL INSPECTION ITEMS DENOTE BY			
TOLERANCES UNLESS OTHERWISE SPECIFIED			
FRAC. ±0.020	2 PL. DEC. ±0.010	3 PL. DEC. ±0.003	TIR

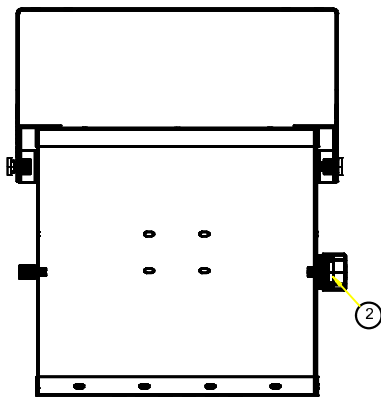
FIRE SAFETY EQUIPMENT PTY LTD				Drawing No	Rev.
Drawn By	Approved By	Title		5700	C
PM		FirePro Aerosol Generator			
Scale	Date	FP-5700			
	20-11-16				



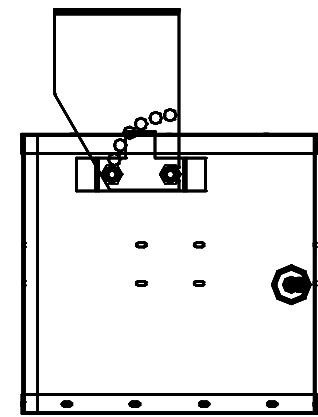
Bottom View



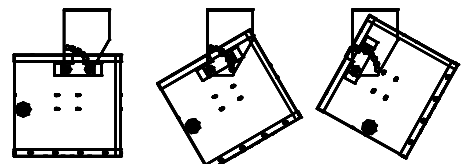
Iso View(Bottom)



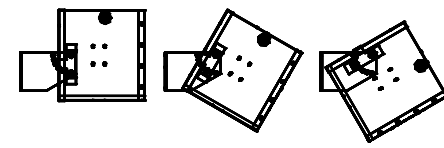
Front View



Side View

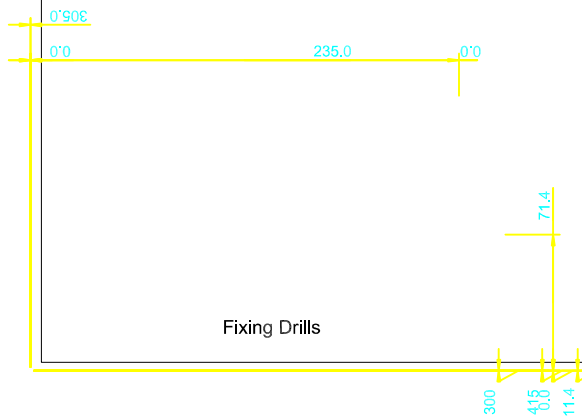


CEILING



WALL

Installation Options



Fixing Drills

6	1	OUTLET	B203057EHTC
5	1	BRACKET	B57BRKT
4	1	EXTERNAL HOUSING BRACKET SUPPORT	BAEHBS
3	1	HOUSING	B57EHSW
2	1	WIRES OUTLET JUNCTION BOX	BWOJB
1	1	THERMOCONNECTOR	BTHC
Position	Quantity	Denomination	Type / DWG. Number
PART LIST			

FirePro. FirePro Systems Ltd FP-5700
 Condensed aerosol generator FP-5700S
 DRAWING NUMBER: ID-5700/S TITLE:
 DATE: 15/04/10 INSTALLATION DRAWING