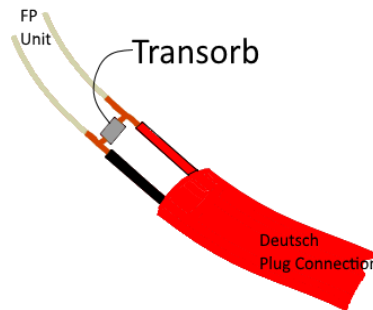


HD Bracket - FP-6100 shown

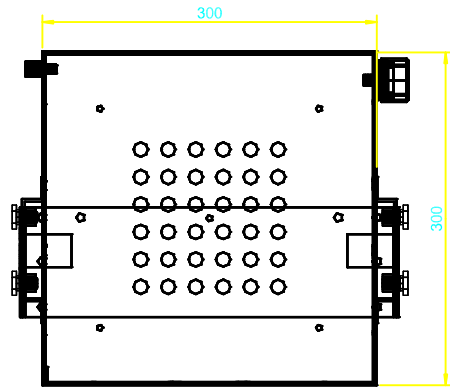


Notes :

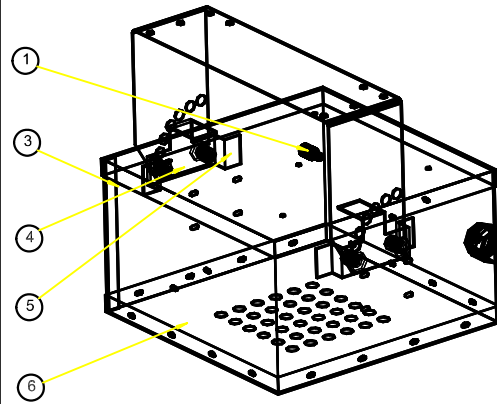
- 1 Dimensions 300 x 300 x 185mm Excl Bracket
- 2 Weight 15.5kg Excl Bracket
- 3 Aerosol Cabinet Material - SS 304L
- 4 HD Bracket Material - 2.5mm SS316
- 5 Std Bracket Material - 1.5mm SS304L
- 6 Transorb installed in Electrical Units - Aust Only

Rev	Drawing Change	by	Date
	Critical Inspection Items Denoted by		
TOLERANCES UNLESS OTHERWISE SPECIFIED			
FRAC. ±0.020	2 PL. DEC. ±0.010	3 PL. DEC. ±0.003	TIR

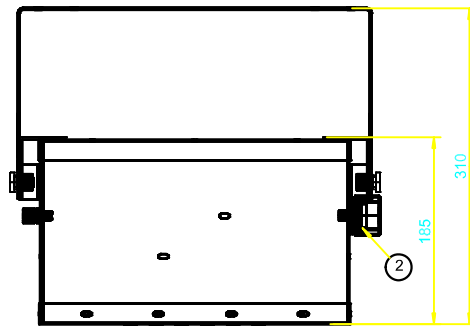
FIRE SAFETY EQUIPMENT PTY LTD				Drawing No	Rev.
Drawn By PM	Approved By	Title FirePro Aerosol Generator FP-2000	Date 20-11-16	2000	C



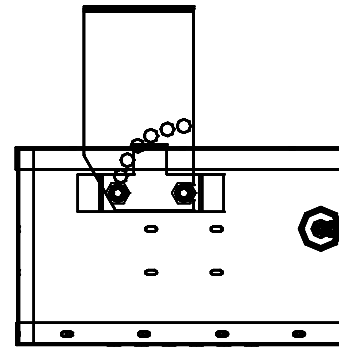
Bottom View



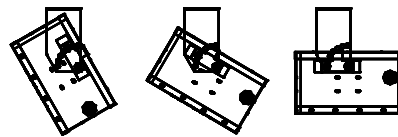
Iso View(Bottom)



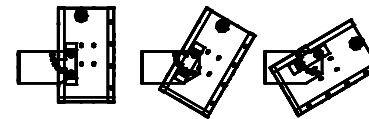
Front View



Side View

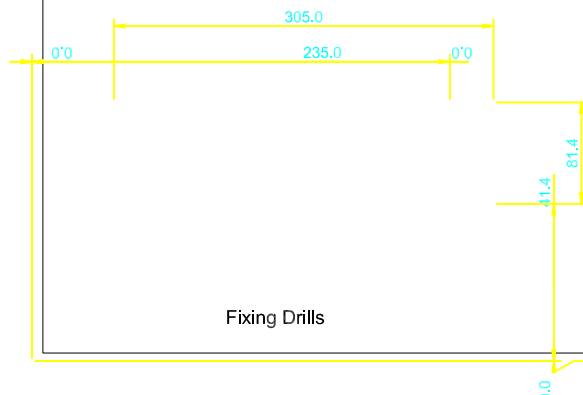


CEILING



WALL

Installation Options



Fixing Drills

6	1	OUTLET	B203057EHTC
5	1	BRACKET	B122030BRKT
4	1	EXTERNAL HOUSING BRACKET SUPPORT	BAEHBS
3	1	HOUSING	B2030EHSW
2	1	WIRES OUTLET JUNCTION BOX	BWOJB
1	1	THERMOCONNECTOR	BTHC
Position	Quantity	Denomination	Type / DWG. Number

PART LIST

FirePro. FirePro Systems Ltd FP-2000
Condensed aerosol generator FP-2000S

DRAWING NUMBER: ID-2000/S
DATE: 15/04/10

TITLE:
INSTALLATION DRAWING