



Combined Siren Output Module

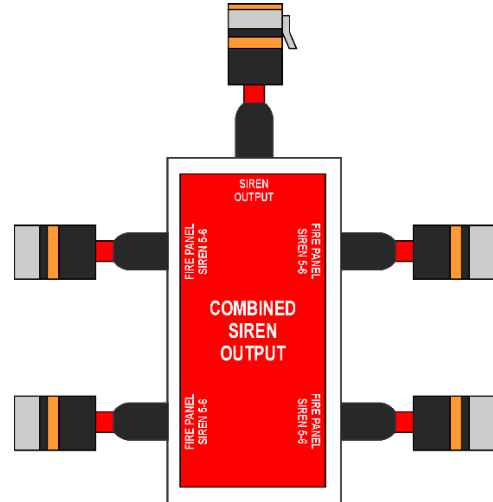
Fire System with Multiple Control Panels

Model FP-08944

Rev 2.3



FP-08944-2



FP-08944-4

USE ONLY WITH

Model FP-08450 and FP-08451 Control Panels

Contents

1	Introduction.....	2
2	Components List.....	2
3	Design Considerations.....	2
4	Installation	3
5	Wiring Diagram.....	4
6	Operation	5
7	Commissioning	5
8	Servicing and Maintenance	5
9	FP-08944-2 - Detailed Wiring Diagram.....	6
10	FP-08944-4 - Detailed Wiring Diagram.....	7
11	Specifications	8



Combined Siren Output Module

Fire System with Multiple Control Panels

Model FP-08944

Rev 2.3

1 Introduction

1.1 General Information

The FirePro Combined Siren module allows for up to 4 FP-08450/08451 Control Panels to monitor and operate a Consolidate siren(s). This module is for use in installations where multiple control panels have been installed, but individual sirens in the risk and well as a singular siren to a common area – such as the wheelhouse of a vessel that has multiple risks.

2 Components List

FP-08944-2		2 Panels->1 Siren Circuit Combined Siren Module Multiple input siren	2x DP-3300	Deutsch Plug 3 Pin M/F, c/w Hshrink
			1x	EOL Diode 1N4004 (Siren/Strobe)
FP-08944-4		4 Panels->1 Siren Circuit Combined Siren Module Multiple input siren	5x DP-3300	Deutsch Plug 3 Pin M/F, c/w Hshrink
			1x	EOL Diode 1N4004 (Siren/Strobe)

3 Design Considerations

3.1 Operation

When any of the connected control panels enter an alarm condition, the siren/strobe connected to the module will operate, and the consolidated siren(s) will also operate. Once initiated, the siren/strobe will continue to operate until the control panel in alarm is silenced, by pressing the mode switch (see FP-08450 Product Manual).

If multiple control panels are in alarm, the siren/strobe will continue to operate until all effected control panels are silenced.

3.2 Fault Monitoring

The siren/strobe output is a monitored circuit. The monitoring is via FIRE PANLE 1. Any Faults will be reported on this panel. The EOL Diode must be installed on the last Siren in the circuit. Should there be any wiring issues between the panel and installed sirens before the consolidation module otherwise the fire control panel will display a fault.

The FirePro Combined Siren module reports the status of the siren/strobe circuit to the control panel connected to the "FIRE PANEL 1" input. All other connected control panels are monitored only to their connection to the module.



Combined Siren Output Module

Fire System with Multiple Control Panels

Model FP-08944

Rev 2.3

3.3 Mounting

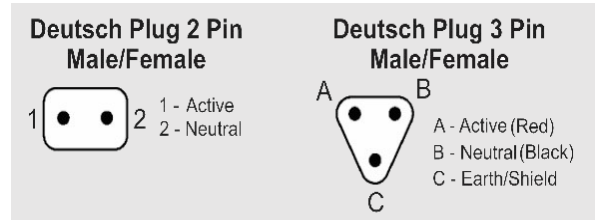
For correct installation, the Module must be mounted by four bolts or screws through the mounting holes in the flange. **No penetrations are to be made through the casing of the panel.**

The Module enclosure is rated IP65.

3.4 Cabling Requirements

When constructing extension leads the supplied Deutsch Plugs must be used to ensure water-proof connections are made throughout the installation.

1. Cut cable to required length and strip outer insulation to approximately 25-30mm.
2. Strip inner insulation to approximately 6mm and using a Deutsch Crimping tool, fix pins to the exposed ends of the cable, including the earth where applicable.
3. Place heat shrink over the end of the cable. Identify correct socket on plug by the numbers/letter on the side of the plug and push through the gasket at the bottom of the plug until a click is heard and the pin is locked place.



in

4. Place the locking mechanism inside the plug to ensure pins remain secure. (Male plugs; locking mechanism is orange. Female plugs; locking mechanism is green).
5. Using the heat shrink, seal the back of the plug. Cables are colour coded for easy identification. When installing system, cables should be only connected to the correctly coded cable. Colour Coding for cables is as follows:

Colour	Circuit
Red	Power Supply
Yellow 1	Activation
Yellow 2	Activation Delayed
Green 1	Detection 1
Green 2	Detection 2
Orange	Siren/Strobe
White	Relay Output

4 Installation

FirePro generators **must** remain disconnected until system is completed and is **NOT** in a fault or alarm condition. The FirePro Test Simulator (FP-08800) should be used to complete commission of the system.

Note: Any required extension leads **must** be constructed as per 3.4 Cabling Requirements.

1. Connect one of the installed control panels to the "FIRE PANEL 1" plug. This panel will report faults on the module's siren output, so should be installed in a central location.
2. Connect all other installed control panels to the other available inputs to the module. Any inputs that are not used **MUST** be sealed using a Deutsch plug and heatshrink.



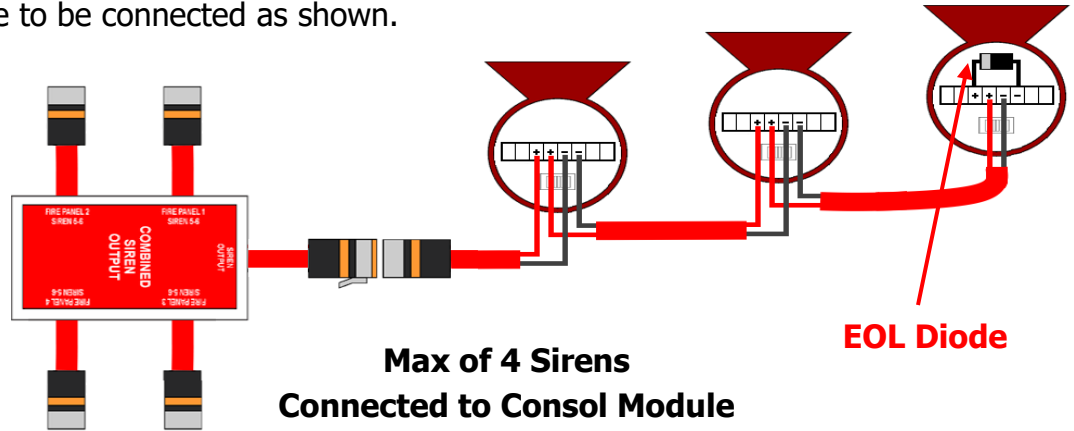
Combined Siren Output Module

Fire System with Multiple Control Panels

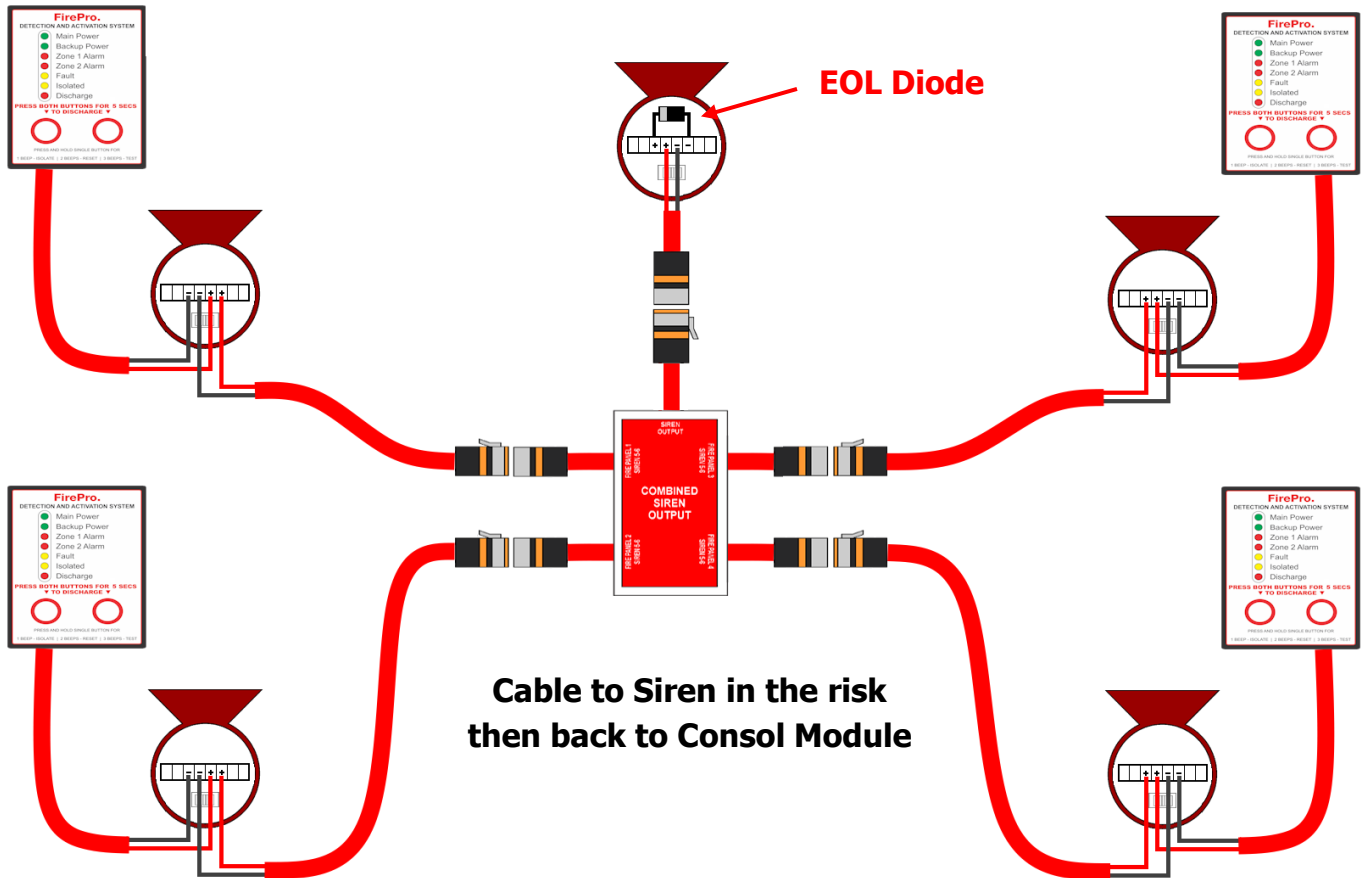
Model FP-08944

Rev 2.3

3. Mount the siren/strobe in a location where it is visible and audible in all points with the risk area and connect to the "SIREN OUTPUT" on the module. If more than one siren/strobe is being installed, they are to be connected as shown.



5 Wiring Diagram



6 Operation

When any of the connected control panels enter an alarm condition, the siren/strobe will operate. Once initiated, the siren/strobe will continue to operate until the control panel in alarm is silenced, by pressing the mode switch (see FP-08450 Product Manual).

If multiple control panels are in alarm, the siren/strobe will continue to operate until all effected control panels are silenced.

7 Commissioning

Commissioning should be performed when the fire control panel is not in an alarm/fault condition.

Note: No personnel should be in the risk area until the fire system is fully isolated.

Note: Where shutdown relays have been installed, all personnel should be made aware equipment will not be operable until testing is completed.

1. Isolate and disconnect the any installed FirePro aerosol generators. This should generate a fault on the fire control panel. Connect a FirePro FP-08800 Universal Test Lamp.
2. Put each of the connected control panels into alarm, by pressing and holding the buttons on the fire control panel or through the detection circuits.
3. Ensure that any sirens or strobes connected to the system are operational and operate when each of the connected panels is in an alarm condition.
4. Test the silence function is operable by pressing the Mode button on each control panel.
5. Test fault monitoring by disconnecting the plugs to each of the connected control panels and to the siren/strobe.
6. Disconnect the FirePro FP-08800 Universal Test Lamp and reconnect all installed FirePro aerosol generators.

8 Servicing and Maintenance

Inspection and servicing of the installed fire system should occur in accordance with the relevant Australian Standards. This should include a visual inspection of the enclosure to ensure the seals are intact.

Operation of any installed sirens/strobes and connected relays should be tested as outlined in (7) Commissioning.



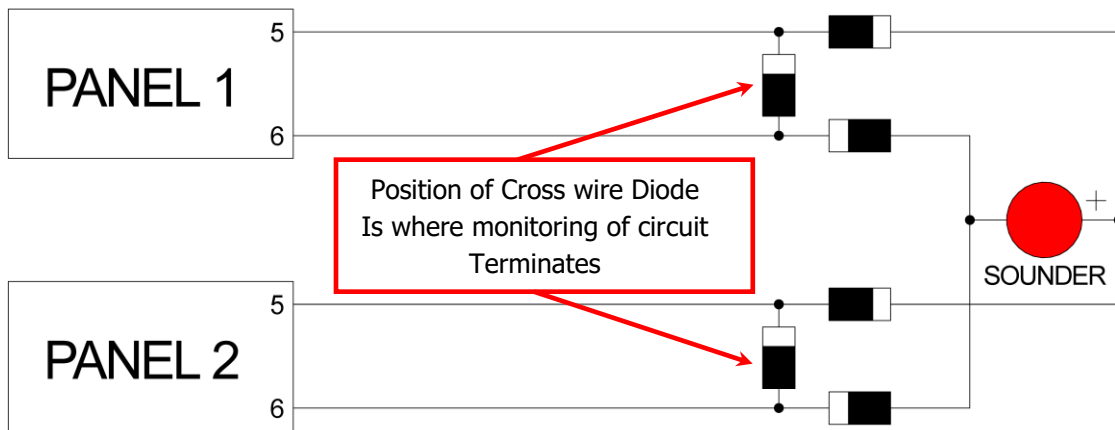
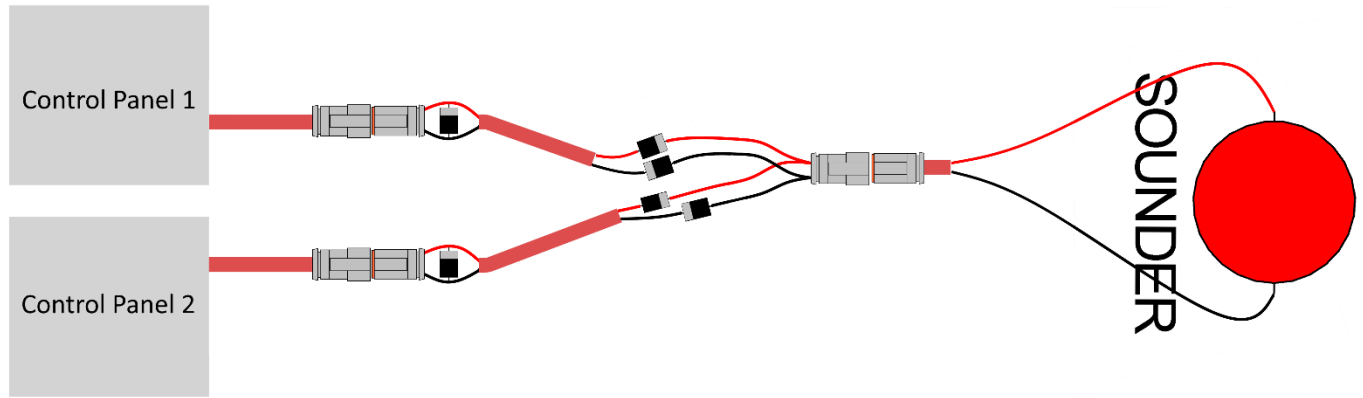
Combined Siren Output Module

Fire System with Multiple Control Panels

Model FP-08944

Rev 2.3

9 FP-08944-2 - Detailed Wiring Diagram



All diodes are 1N4004

NOTE: Direction of DIODES is IMPORTANT



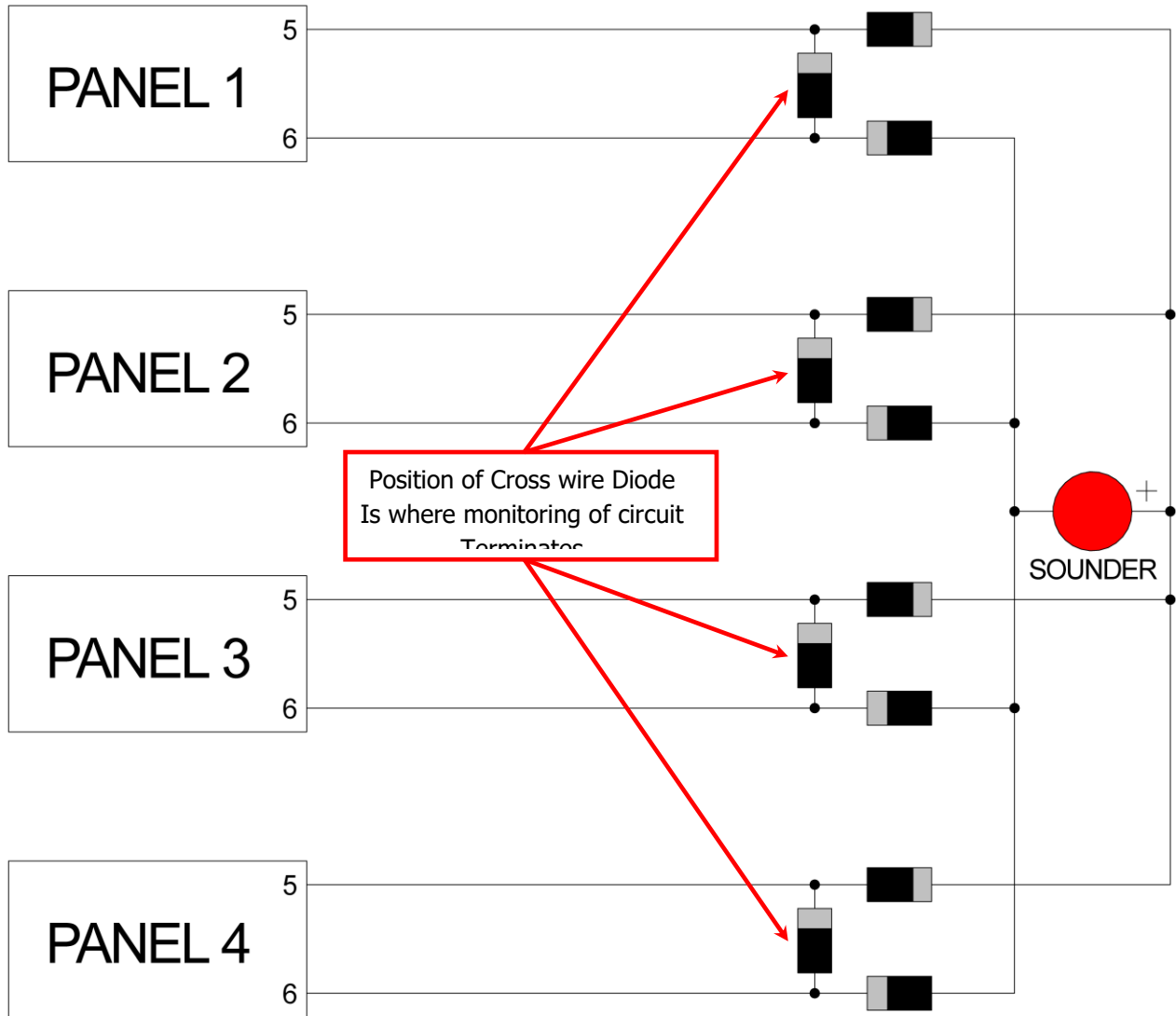
Combined Siren Output Module

Fire System with Multiple Control Panels

Model FP-08944

Rev 2.3

10 FP-08944-4 - Detailed Wiring Diagram



All diodes are 1N4004

NOTE: Direction of DIODES is IMPORTANT



Combined Siren Output Module

Fire System with Multiple Control Panels

Model FP-08944

Rev 2.3

11 Specifications

	FP-08944-2	FP-08944-4
Dimensions	Cable Assembly	140L x 65W x 30D
Enclosure material		Die Cast Aluminium
Operating voltage	12-30VDC	12-30VDC
Output - Siren	Siren max 0.5A at 12 or 24VDC	Siren max 0.5A at 12 or 24VDC
Fault-sensing	Siren Only - wiring open-circuit	Siren Only - wiring open-circuit
Operating Temp.	40 to 85 degrees Celsius	40 to 85 degrees Celsius
Ingress Protection	IP65	IP65
Max no. of Siren/Strobes	4	4