

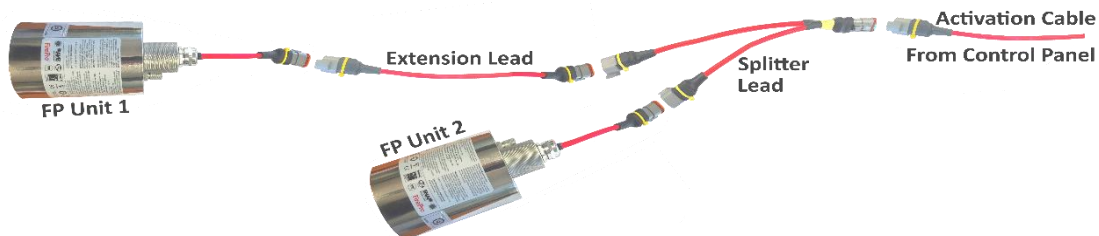
For Use with Fire Suppression Systems -

The Splitter Lead is used in the activation circuit of a FirePro Fire Suppression System where multiple FirePro Generators are installed.

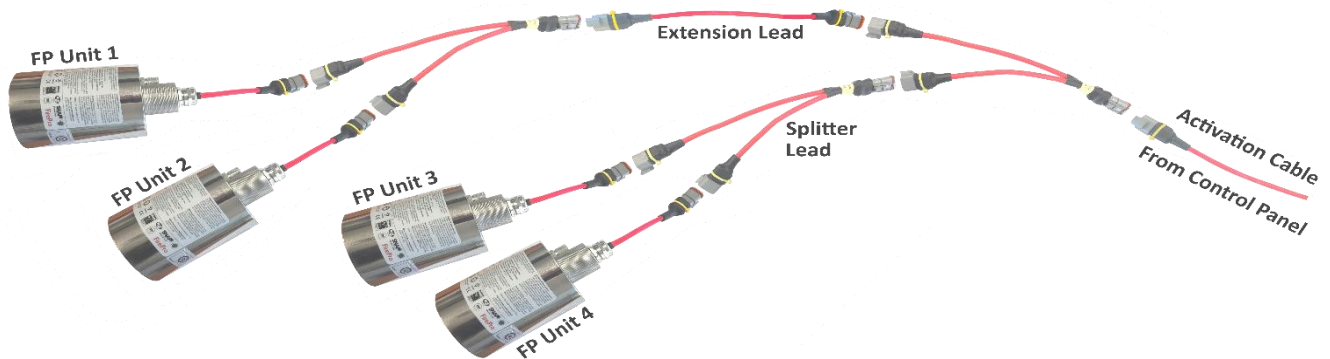


Supplied with
3 x M/F 3 Pin Deutsch Plugs with Heatshrink

Connection of 2 FirePro Units



Connection of 4 FirePro Units



FP-08450 / 08451 Panels

Where multiple FirePro Generators are installed, connect using the FP-08919 Splitter Lead.

Splitter Leads can be installed at any point on the activation. For ease of install, servicing and efficient field wiring, Splitter Leads should be installed in areas easy to access and minimise extension leads.

The supply voltage of any system will determine the no of FirePro units which can be used

12vDC

Max = 2 FP Units

24vDC

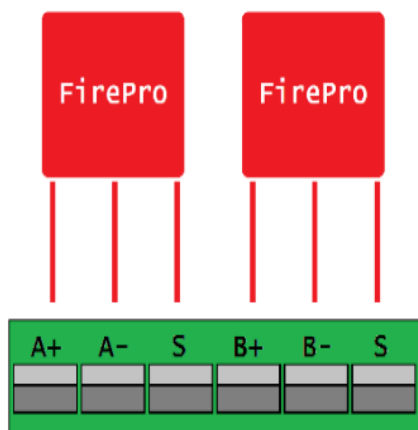
Max = 4 FP Units

Where additional units are required in the system use **Discharge Delay Module(s)**.

Sigma XT Panel

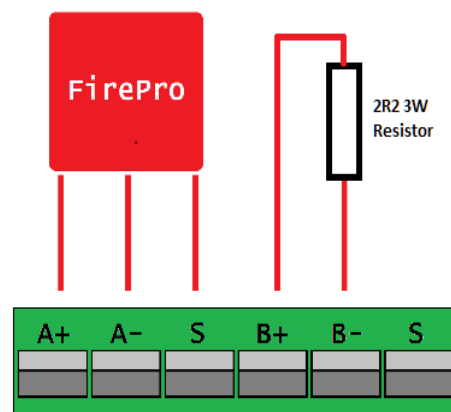
Connection of Aerosol Units to Activation circuit

Quick disconnect terminals are provided in 4 groups of 6 for the connection of actuator devices. To connect the wiring push on the white button on top of the terminal block and insert wire into the aperture making sure that the wire is pushed to the full depth of the aperture. A firm tug on the wire will confirm that it is seated correctly.



Each FirePro unit is connected directly back to the Sequential Activator as shown. The units are NOT polarity sensitive. ENSURE that earth shield cable is terminated in the terminal marked "S".

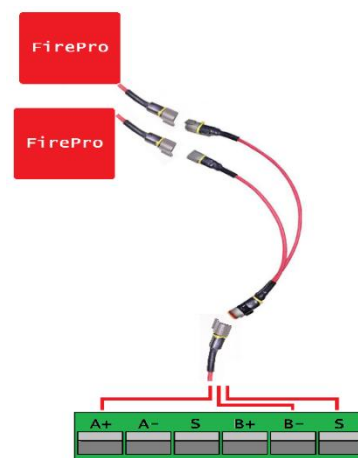
Where only one FirePro is required on a circuit a 2R2 3W Wire Wound Surge Resistor must be placed across the other circuit as shown.



Connections using Splitter Leads

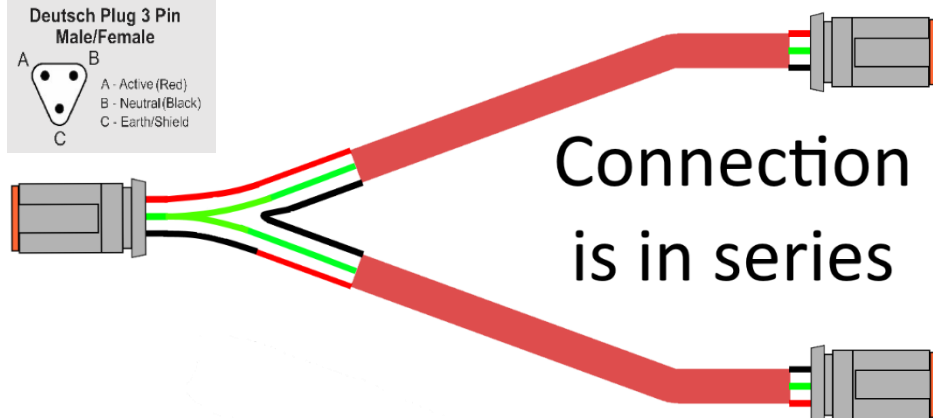
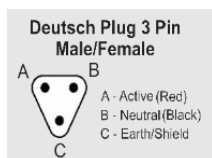
More efficient field wiring may be achieved using Splitter Leads. This allows for a single activation cable to for up to each group of max 4 FirePro units.

MAX of 4 FirePro units for each activation Cable. This would require 3 splitter leads.



Connection to FirePro Units

When constructing leads to the FirePro units the supplied Deutsch Plugs must be used to ensure water-proof connections are made throughout the installation.



- Suitable for harsh vibration environments, such as vehicles and marine vessels
- Connections via Deutsch Plugs IP68
- Made in the Australia