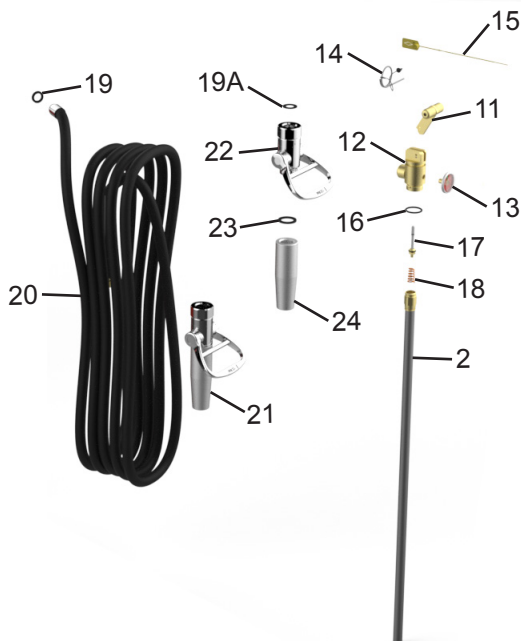




PARTS LIST for 50 lb. Dry Chemical Wheeled/Stationary Extinguisher Models

- 495 - 50 lb. ABC
- 496 - 50lb. REG
- 497 - 50lb. PK
- 473 - 50lb. ABC STA
- 474 - 50lb. REG STA
- 475 - 50lb. PK STA

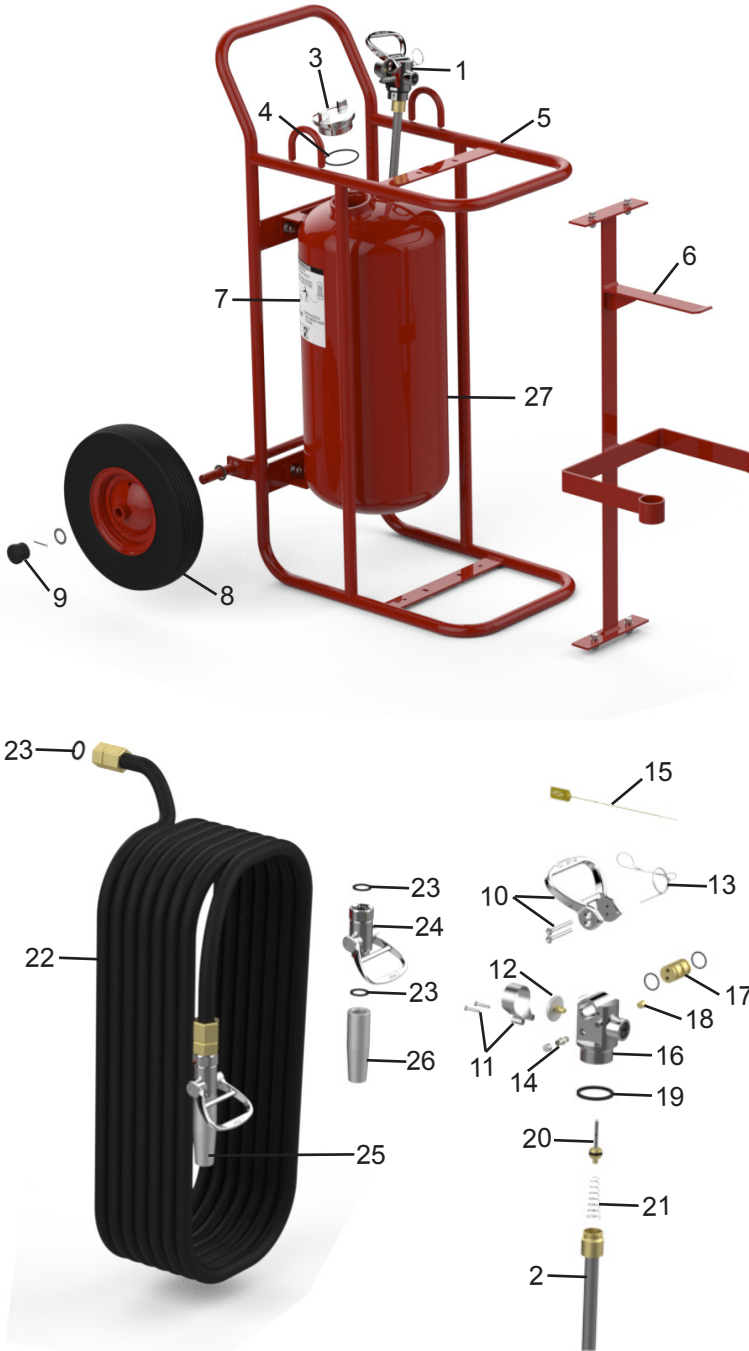


ITEM NO.	PART NO.	DESCRIPTION
1	06018	Valve Assembly Complete with Downtube
2	06072	Downtube/Retainer Assembly
3	06625	Carriage Assembly without Wheels
4	00155	Pressure Valve and Cap Assembly (Older Models Only)
5	06374	Hose Support with Hardware, Hose Clip and Nozzle Mount
6	06375	Hose Clip with Mounting Hardware (Older Models Only)
7	06376	Nozzle Mount with Hardware
8	07480	Pictogram - Model 495, 473
	07482	Pictogram - Models 496, 497, 474, 475
9	06377	Wheel Assembly 12½" with Hub Cap, Washer and Retaining Pin (Semi-Pneumatic)
10	04945	Hub Cap
11	06373	Valve Lever ("T" Handle - Complete)
12	06153	Valve Body
13	05225	Gauge - 240 PSI
14	06100	Ring Pin, Stainless Steel with Wire
15	01387	Lock Wire Seal (Yellow)
16	05240	Collar O-Ring
17	06022	Valve Stem Assembly
18	00383	Spring
19	07247	Gasket, Hose
19A	06056	Gasket Valve
20	06015	Hose Assembly 25 ft. with Gasket
21	06397	Nozzle Assembly (Ball Valve & Tip) - 495, 473
	06395	Nozzle Assembly (Ball Valve & Tip) - 496, 474
	06396	Nozzle Assembly (Ball Valve & Tip) - 497, 475
22	06031	Ball Valve Assembly
23	03877	Gasket, Nozzle
24	06208	Nozzle Tip - 495, 473 (.328)
	06032	Nozzle Tip - 496, 474 (.265)
	06210	Nozzle Tip - 497,475 (281)
Replacement Valve Assemblies include Valve Body, Gauge, Lever, Valve Stem Assembly, Spring and Downtube/Retainer Assembly		



PARTS LIST for 125/150 lb. Dry Chemical Stored Pressure Wheeled/Stationary Extinguisher Models

488 - 125lb. ABC 476 - 125lb. ABC STA.
489 - 150lb. REG 477 - 150lb. REG STA.
490 - 125lb. PK 478 - 125lb. PK STA.



ITEM NO.	PART NO.	DESCRIPTION
1	05197	Valve Assembly Complete with Downtube
2	04938	Downtube/Retainer Assembly
3	09300	Fill Cap
4	08392	Gasket, Fill Cap
5	10431	Carriage Assembly without Wheels
6	10430	Hose Support with Hardware
7	07481	Pictogram - 488, 476
	07483	Pictogram - 489, 490, 477, 478
8	07751	Wheel Assembly 16" with Hub Cap, Washer and Retaining Pin (Semi-Pneumatic)
	10234	Wheel Assembly 16" with Hub Cap, Washer and Retaining Pin (Pneumatic) (OPTIONAL)
9	04945	Hub Cap
10	06059	Valve Lever with Screws
11	03562	Gauge Guard Assembly
12	05225	Gauge - 240 PSI
13	06100	Ring Pin, Stainless Steel with Wire
14	00155	Pressure Valve and Cap Assembly
15	01387	Lock Wire Seal (Yellow)
16	03678	Valve Body
17	06060	Cam Assembly with O-Rings
18	14218	Pipe Plug - For Safety Disc Port
	03787	Safety Disc Assembly (OPTIONAL)
19	05239	Collar O-Ring
20	05067	Valve Stem Assembly
21	03556	Spring
22	03501	Hose Assembly 50 ft. without Gasket
23	03877	Gasket, Hose and Nozzle
24	06279	Ball Valve Assembly
25	05191	Nozzle Assembly (Ball Valve & Tip) - 488, 489, 476, 477
	07432	Nozzle Assembly (Ball Valve & Tip) - 490, 478
26	06470	Nozzle Tip - 488, 489, 476, 477 (.344)
	06208	Nozzle Tip - 490, 478 (.328)
27	10467	Cylinder

Replacement Valve Assemblies include Valve Body, Gauge, Gauge Guard, Cam, Pressure Valve & Cap, Lever, Valve Stem Assembly, Spring, Downtube/Retainer Assembly

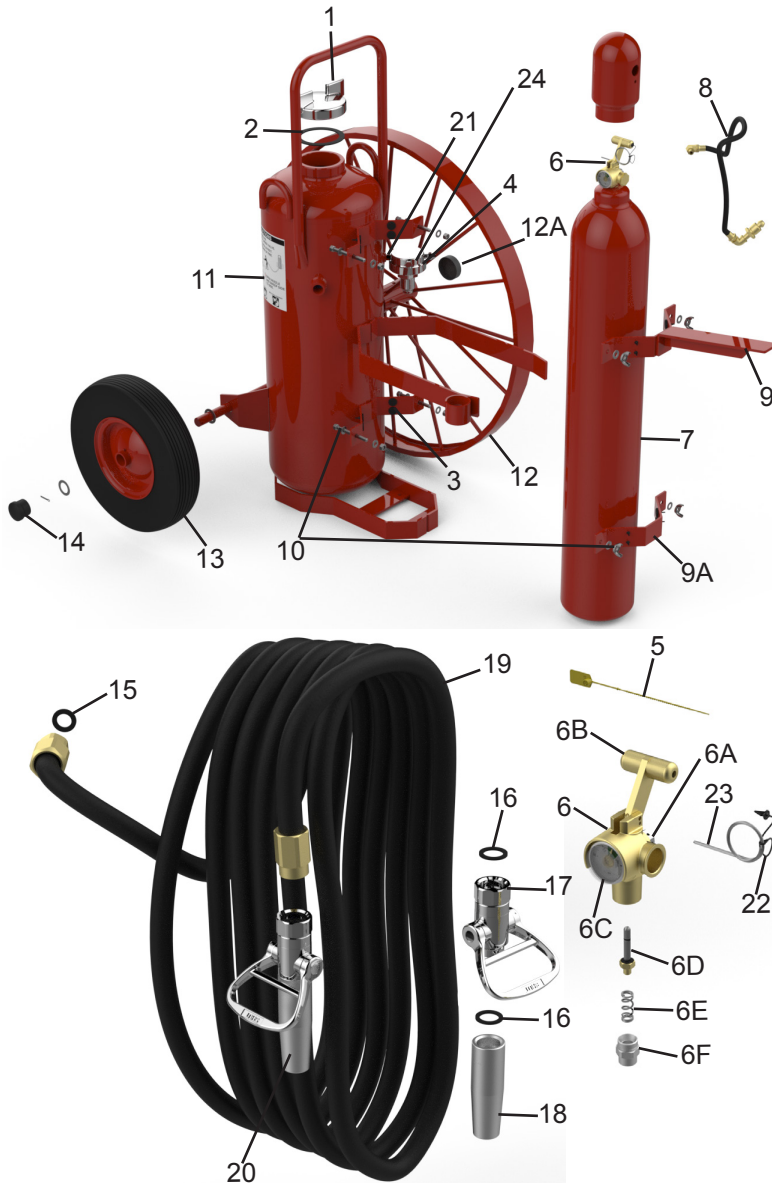


PARTS LIST

for

125/150 lb. Dry Chemical 110 CU. FT. Nitrogen Cylinder Wheeled/Stationary Extinguisher Models

16" WHEELS	36" WHEELS	STATIONARY
467 - 125lb. ABC	470 - 125lb. ABC	484 - 125lb. ABC
468 - 150lb. REG	471 - 150lb. REG	485 - 150lb. REG
469 - 125lb. PK	472 - 125lb. PK	486 - 125lb. PK

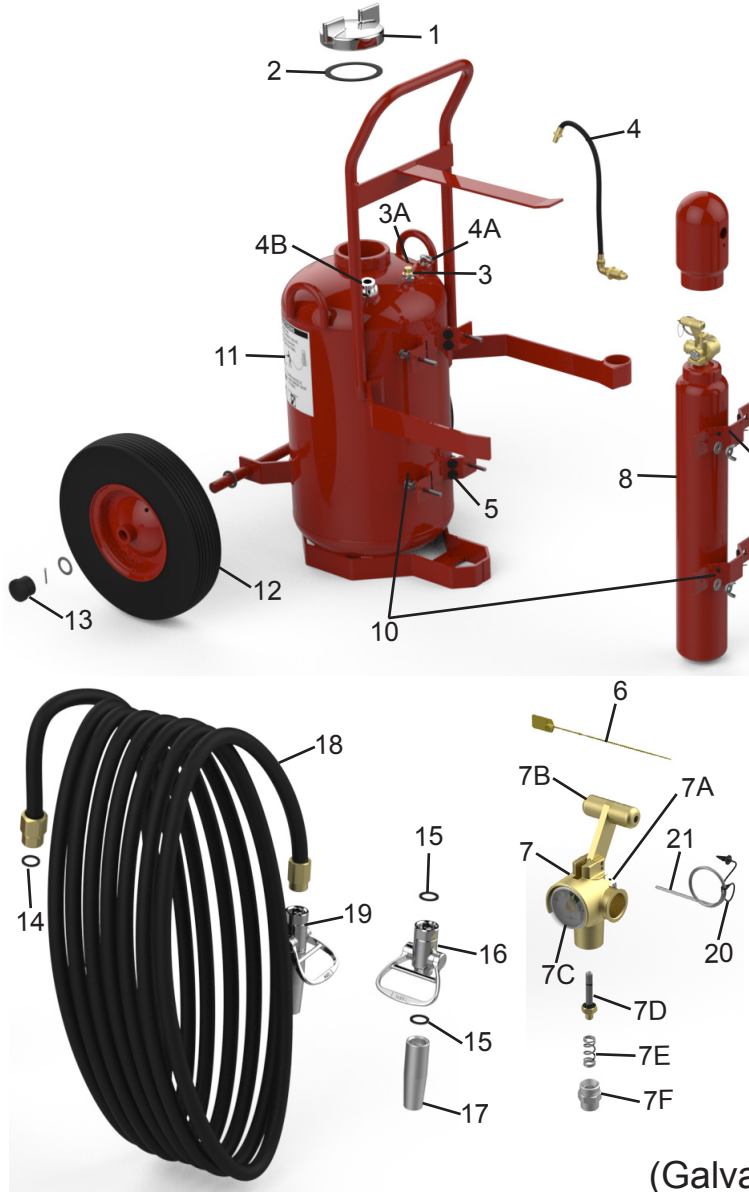


ITEM NO.	PART NO.	DESCRIPTION
1	06993	Cap, Agent Cylinder
	12576	Cap, Agent Cylinder with Pressure Indicator
2	02272	Gasket, Cap
3	13958	Bumper, Rubber
4	02235	Nitrogen Pressure Regulator
5	01387	Lock Wire Seal (Yellow)
6	12467	Nitrogen Valve with Gauge ("T" Handle Quick Release)
6A	16516	Safety Disc, Gasket and Nut Assembly
6B	06373	Valve Lever ("T" Handle - Complete)
6C	10213	Gauge - 3000 PSI
6D	09897	Valve Stem Assembly
6E	12466	Spring
6F	09627	Retainer
7	04128	Nitrogen Cylinder (110 cu. ft.) - Charged with Cap
8	02234	Nitrogen Hose Assembly
9	11024	Retaining Strap (Top) - Nitrogen Cylinder
9A	11021	Retaining Strap (Bottom) - Nitrogen Cylinder
10	16483	Bolt, Washer and Wing Nut
	07485	Pictogram - 467, 470, 485
11	07484	Pictogram - 468, 469, 471, 472, 486
	07025	Wheel Assembly - 36" x 2 1/2"
12	07050	Wheel Assembly - 36" x 2 1/2" with Rubber Tread
	12A	16984
13	07751	Wheel Assembly 16" with Hub Cap, Washer and Retaining Pin (Semi-Pneumatic)
	10234	Wheel Assembly 16" with Hub Cap, Washer and Retaining Pin (Pneumatic) (OPTIONAL)
14	04945	Hub Cap - 16" Wheels
15	07411	Moisture Seal
16	03877	Gasket, Hose and Nozzle
17	06279	Ball Valve Assembly
18	06032	Nozzle Tip (.265)
19	03501	Hose Assembly - 50 ft.
20	07574	Nozzle Assembly (Ball Valve & Tip)
21	04523	1/4 SS Pipe Nipple
22	00532	Chain (Nylon) for Ring Pin
23	00160	Ring Pin Stainless Steel
24	04444	1/4 MXF Elbow



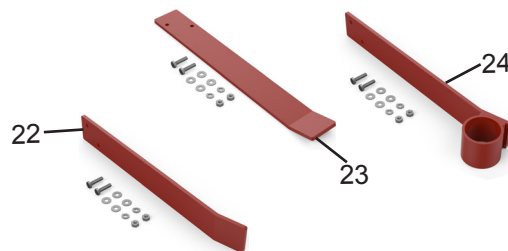
PARTS LIST for 125/150 lb. Dry Chemical 23 CU. FT. Nitrogen Cylinder Wheeled/Stationary Extinguisher Models

450 - 125lb. ABC 481 - 125lb. ABC STA.
451 - 150lb. REG 482 - 150lb. REG STA.
452 - 125lb. PK 483 - 125lb. PK STA.
452OS - 125lb. PK



ITEM NO.	PART NO.	DESCRIPTION
1	06993	Cap, Agent Cylinder
	12576	Cap, Agent Cylinder with Pressure Indicator
2	02272	Gasket, Cap
3	03787	Safety Disc Assembly
3A	13956	Protective Vinyl Cap
4	03818	Nitrogen Hose Assembly
4A	03785	Nitrogen Tube Assembly
4B	03784	Downtube Assembly
5	13958	Bumper, Rubber
6	01387	Lock Wire Seal (Yellow)
7	12467	Nitrogen Valve with Gauge ("T" Handle Quick Release)
7A	16516	Safety Disc, Gasket and Nut Assembly
7B	06373	Valve Lever ("T" Handle - Complete)
7C	10213	Gauge - 3000 PSI
7D	09897	Valve Stem Assembly
7E	12466	Spring
7F	09627	Retainer
8	03817	Nitrogen Cylinder (23 cu. ft.) - Charged with Cap
9	04072	Retaining Strap - Nitrogen Cylinder
10	11970	Bolt, Washer and Wing Nut
11	07485	Pictogram - 450, 481
	07484	Pictogram - 451, 452, 452OS, 482, 483
12	07751	Wheel Assembly 16" with Hub Cap, Washer and Retaining Pin (Semi-Pneumatic)
	10234	Wheel Assembly 16" with Hub Cap, Washer and Retaining Pin (Pneumatic) (OPTIONAL)
13	04945	Hub Cap - 16" Wheels
14	07411	Moisture Seal
15	03877	Gasket, Hose and Nozzle
16	06279	Ball Valve Assembly
17	06467	Nozzle Tip (.312)
18	03501	Hose Assembly - 50 ft.
19	06717	Nozzle Assembly (Ball Valve & Tip)
20	00532	Chain (Nylon) for Ring Pin
21	00160	Ring Pin Stainless Steel
22	23589	Support Hose Grd Assembly -452OS
23	23588	Support Hose Assembly -452OS
24	23587	Nozzel Mount Hose Grd Assembly -452OS

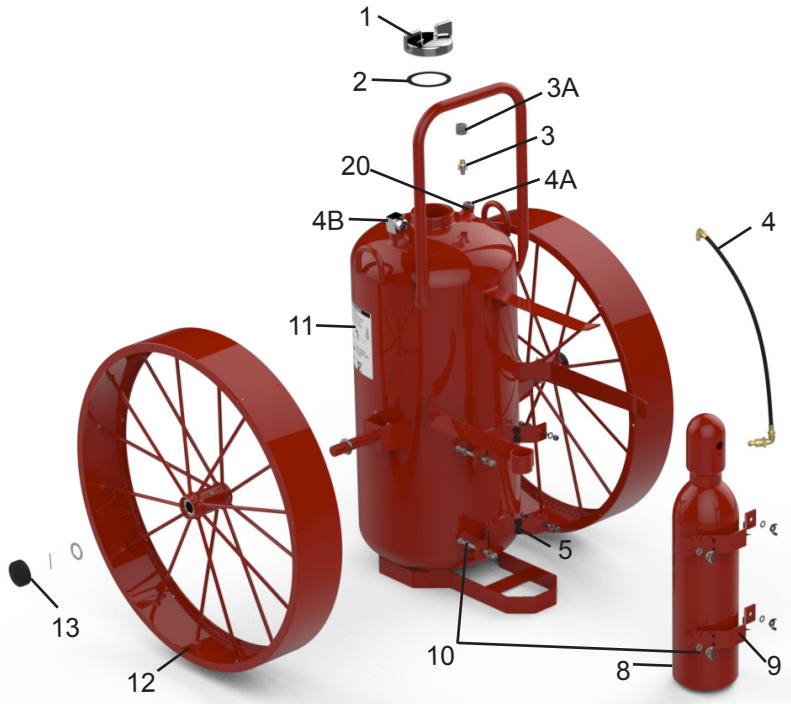
(Galvanized Models Only)





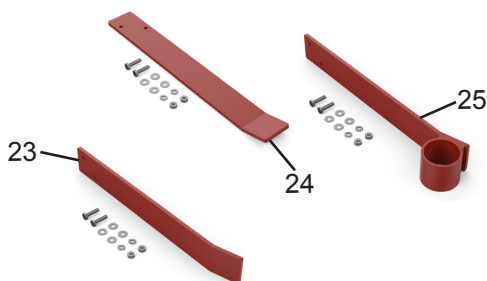
PARTS LIST for 300/350 lb. Dry Chemical 55 CU. FT. Nitrogen Cylinder Wheeled/Stationary Extinguisher Models

491 - 300lb. ABC 464 - 300lb. ABC STA.
 492 - 350lb. REG 465 - 350lb. REG STA.
 493 - 300lb. PK 466 - 300lb. PK STA.
 493OS - 300lb. PK



ITEM NO.	PART NO.	DESCRIPTION
1	06993	Cap, Agent Cylinder
	12576	Cap, Agent Cylinder with Pressure Indicator
2	02272	Gasket, Cap
3	03787	Safety Disc Assembly
3A	13956	Protective Vinyl Cap
4	07292	Nitrogen Hose Assembly
4A	06789	Nitrogen Tube Assembly
	06784	Downtube Assembly
4B	07575	Downtube Assembly (Vent Models)
	13958	Bumper, Rubber
5	13958	Bumper, Rubber
6	01387	Lock Wire Seal (Yellow)
7	12467	Nitrogen Valve with Gauge ("T" Handle Quick Release)
7A	16516	Safety Disc, Gasket and Nut Assembly
7B	06373	Valve Lever ("T" Handle - Complete)
7C	10213	Gauge - 3000 PSI
7D	09897	Valve Stem Assembly
7E	12466	Spring
7F	09627	Retainer
8	06809	Nitrogen Cylinder (55 cu. ft.) - Charged with Cap
9	11021	Retaining Strap - Nitrogen Cylinder
10	16483	Bolt, Washer and Wing Nut
11	07485	Pictogram - 491, 464
	07484	Pictogram - 492, 493, 493OS, 466
12	07026	Wheel Assembly 36" x 6" (Red)
	12180	Wheel Assembly 36" x 6" (Red) Glvanized
	15791	Wheel Assembly 36" x 6" (Red) Glvanized with Rubber Tread
	07607	Wheel Assembly 36" x 6" with Rubber Tread
13	07389	Hub Cap with Washer and Cotter Pin
14	07411	Moisture Seal
15	03877	Gasket, Hose and Nozzle
	06279	Ball Valve Assembly
17	08260	Nozzle Tip - 491, 492, 464, 465(.531)
	08261	Nozzle Tip - 493, 493OS, 466 (.469)
18	06814	Hose Assembly - 50 ft.
	07760	Hose Assembly - 75 ft. (OPTIONAL)
19	07385	Nozzle Assembly (Ball Valve & Tip) - 491, 492, 464, 465
	07387	Nozzle Assembly (Ball Valve & Tip) - 493, 493OS, 466
	04444	Nitrogen Elbow
20	04444	Nitrogen Elbow
21	00532	Chain (Nylon) for Ring Pin
22	00160	Ring Pin Stainless Steel
23	23589	Support Hose Grd Assembly - 493OS
24	23588	Support Hose Assembly - 493OS
25	23587	Nozzel Mount Hose Grd Assembly - 493OS

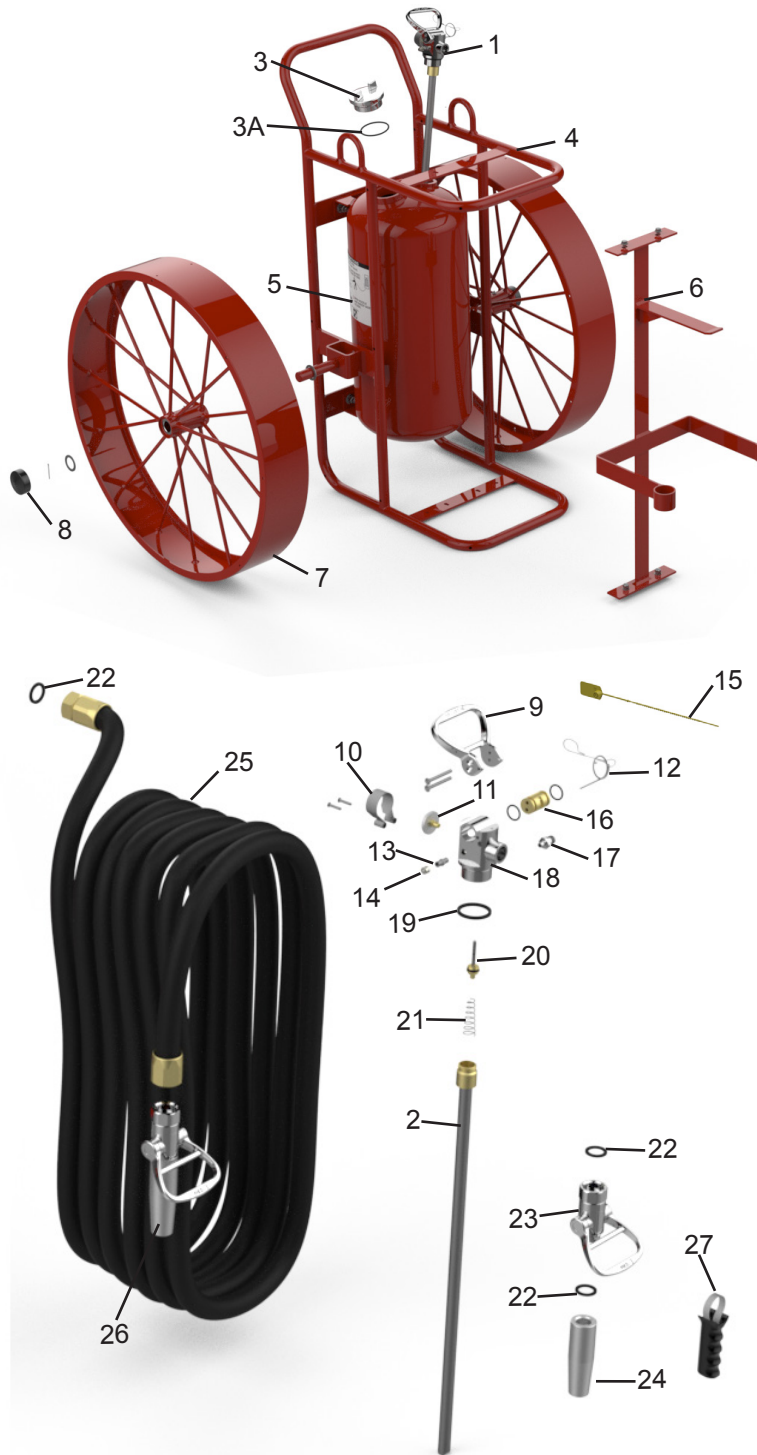
(Galvanized Models Only)





PARTS LIST for 125/250 lb. Dry Chemical Stored Pressure Wheeled/Stationary High Performance Extinguisher Models

573 - 250lb. ABC 596 - 250lb. ABC STA.
 574 - 250lb. REG 597 - 250lb. REG STA.
 575 - 250lb. PK 598 - 250lb. PK STA.
 690 - 125lb. PK



ITEM NO.	PART NO.	DESCRIPTION
1	08715	Valve Assembly Complete with Downtube
	05197	Valve Assembly Complete with Downtube - 690
2	09856	Downtube/Retainer Assembly
	04938	Downtube/Retainer Assembly - 690
3	09300	Cap, Agent Cylinder
3A	08392	Gasket, Fill Cap
4	12176	Carriage Ass'y (Galvanized) w/o Wheels
	16786	Carriage Ass'y (Galvanized) w/o Wheels - 690
5	07481	Pictogram - 573, 596
	07483	Pictogram - 575, 574, 597, 598, 690
6	09553	Hose Support Ass'y w/ Mounting Hardware
	10430	Hose Support Ass'y w/ Mounting Hardware - 690
7	12180	Wheel Assembly 36" x 6" (Red) Galvanized
	15791	Wheel Assembly 36" x 6" (Red) Galvanized with Rubber Tread
8	07389	Hub Cap with Washer and Cotter Pin
9	06059	Valve Lever with Screws
10	16723	Gauge Guard Assembly
11	08714	Gauge - 350 PSI
	05225	Gauge - 240 PSI - 690
12	06100	Ring Pin, Stainless Steel with Wire
13	07309	Pressure Valve
	03559	Pressure Valve - 690
14	07310	Cap for Pressure Valve
	00158	Cap for Pressure Valve - 690
15	01387	Lock Wire Seal (Yellow)
16	06060	Cam Assembly with O-Rings
17	08573	Safety Disc Assembly (except 690)
	03787	Safety Disc Assembly (optional on 690)
	13956	Protective Vinyl Cap
	14218	Pipe Plug - 690
18	03678	Valve Body
19	05239	Collar O-Ring
20	05067	Valve Stem Assembly
21	03556	Spring
22	03877	Gasket, Hose / Nozzle
23	06279	Ball Valve Assembly
24	09399	Nozzle Tip - 573, 574, 596, 597 (.625)
	08260	Nozzle Tip - 575, 598, 690 (.531)
25	06814	Hose Assembly - 50 ft.
26	09543	Nozzle Assembly (Ball Valve & Tip) - 573, 574, 596, 597
	07385	Nozzle Assembly (Ball Valve & Tip) - 575, 598, 690
27	09711	Pistol Grip

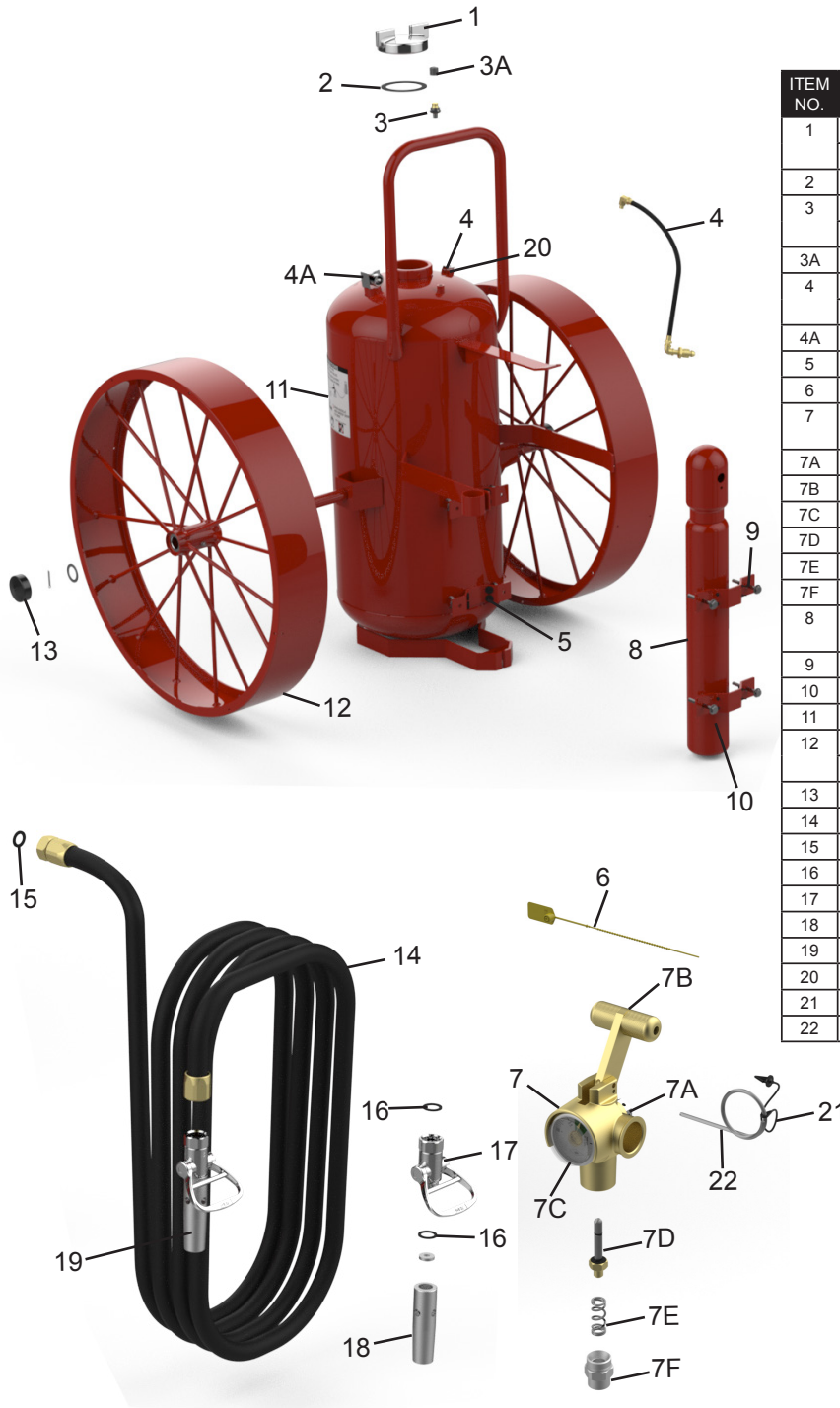
NOTE: Replacement Valve Assemblies include Valve Body, Gauge, Gauge Guard, Safety Disc Assembly, Cam, Pressure Valve & Cap, Lever, Valve Stem Assembly, Spring and Downtube/Retainer Assembly (as required).



PARTS LIST

for
33 Gal. AR-AFFF Foam
23 CU. FT. Nitrogen Cylinder
Wheeled/Stationary
Extinguisher Models

630 - 33 gal. AR-AFFF
 631 - 33 gal. AR-AFFF STA.

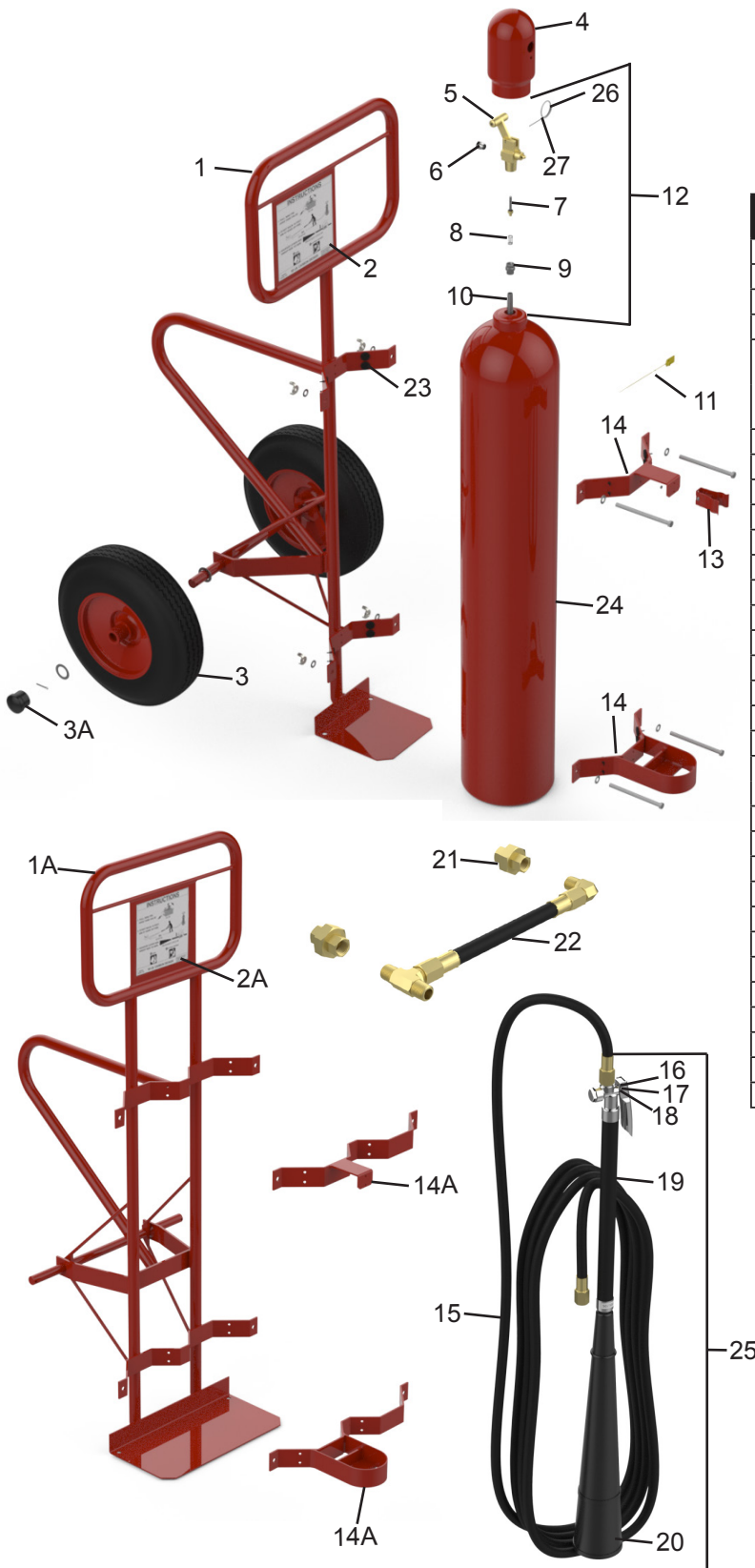


ITEM NO.	PART NO.	DESCRIPTION
1	06993	Cap, Agent Cylinder
	12576	Cap, Agent Cylinder with Pressure Indicator
2	02272	Gasket, Cap
3	03787	Safety Disc Assembly - 630
	07665	Safety Disc Assembly - 631
3A	13956	Protective Vinyl Cap
4	02234	Nitrogen Hose Assembly
	06883	Nitrogen Tube Assembly
4A	06784	Downtube Assembly
5	13958	Bumper, Rubber
6	01387	Lock Wire Seal (Yellow)
7	12467	Nitrogen Valve with Gauge ("T" Handle Quick Release)
7A	16516	Safety Disc, Gasket and Nut Assembly
7B	06373	Valve Lever ("T" Handle - Complete)
7C	10213	Gauge - 3000 PSI
7D	09897	Valve Stem Assembly
7E	12466	Spring
7F	09627	Retainer
8	03817	Nitrogen Cylinder (23 cu. ft.) - Charged with Cap
9	04072	Retaining Strap - Nitrogen Cylinder
10	11970	Bolt, Washer and Wing Nut
11	07479	Pictogram - 630, 631
12	07026	Wheel Assembly 36" x 6"
	07607	Wheel Assembly 36" x 6" with Rubber Tread
13	07389	Hub Cap with Washer and Cotter Pin
14	06814	Hose Assembly - 50 ft.
15	07411	Moisture Seal
16	03877	Gasket, Hose and Nozzle
17	06279	Ball Valve Assembly
18	06749	Nozzle Tip (Aerated)
19	07560	Nozzle Assembly (Ball Valve & Tip)
20	04444	Nitrogen Elbow
21	00532	Chain (Nylon) for Ring Pin
22	00160	Ring Pin Stainless Steel



PARTS LIST for 50/100 lb. Carbon Dioxide Wheeled/Stationary Extinguisher Models

333 - 50lb.
334 - 100lb.
335 - 100lb. STA.

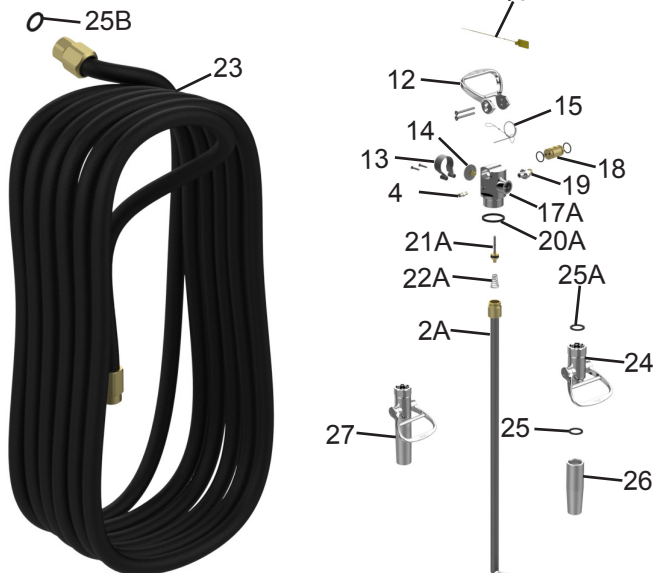
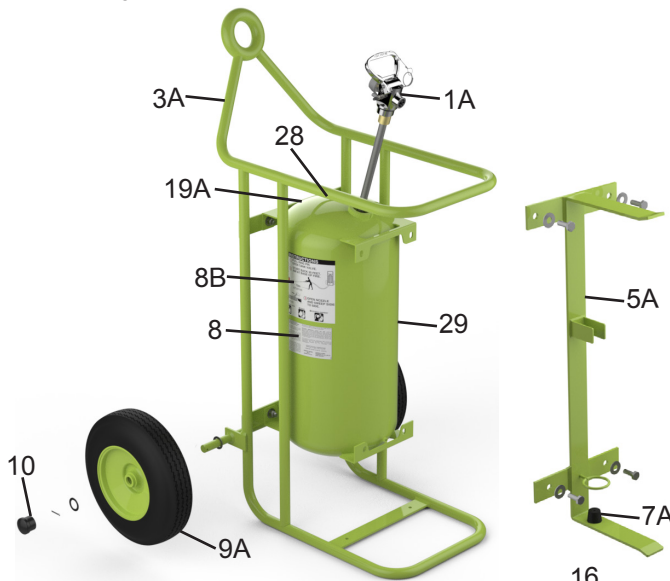
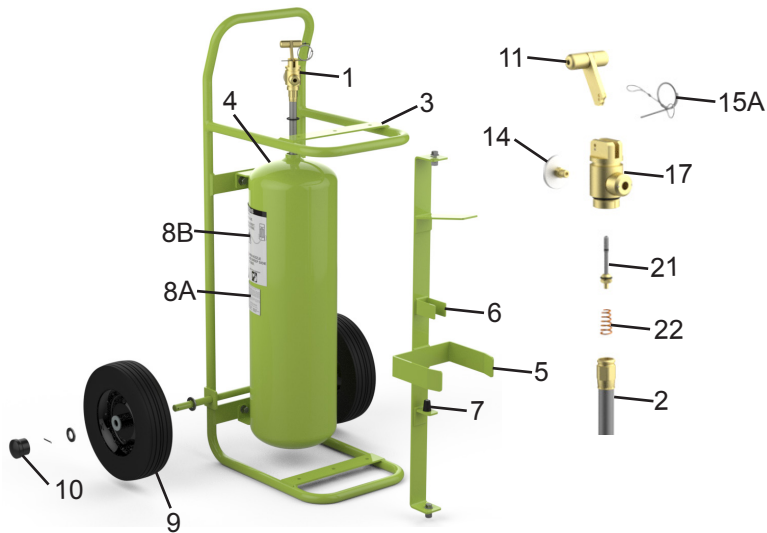


ITEM NO.	PART NO.	DESCRIPTION
1	09891	Carriage Assembly without Wheels - 333
1A	09903	Carriage Assembly without Wheels - 334
2	09618	Pictogram - 333
2A	09787	Pictogram - 334
3	10234	Wheel Assembly - 16" with Hub Cap, Washers and Cotter Pin - Full Pneumatic
	07751	Wheel Assembly - 16" with Hub Cap, Washers and Cotter Pin - Semi-Pneumatic
3A	04945	Hub Cap
4	12470	Cap - Valve Protector
5	06373	Valve Lever ("T" Handle - Complete)
6	04000	Safety Disc Assembly
7	09897	Valve Stem Assembly
8	00501	Spring
9	09627	Retainer
10	09623	Downtube
11	01387	Lock Wire Seal (Yellow)
12	09895	Valve Assembly Complete with Downtube
13	09892	Horn Clip with Mounting Hardware
14	09893	Saddles with Hardware - 333
14A	09904	Saddles with Hardware - 334
15	09365	Hose Assembly - 333 Older Models (15 ft.)
	09545	Hose Assembly - 333,334 (40 ft.)
16	09366	Shut-off Valve Assembly
17	09899	Valve Stem Assembly for Shut-off Valve
18	09901	Spring for Shut-off Valve
19	09896	Handle with Rubber Cover
20	09369	Horn & Nozzle
21	08169	Union (Manifold) - 334
22	09905	Manifold (with Unions) - 334
23	13958	Bumper, Rubber
24	10093	Cylinder Replacement CO2 - 50 lb.
25	09364	Horn and Valve Assembly
26	00532	Chain (Nylon) for Ring Pin
27	00160	Ring Pin Stainless Steel



PARTS LIST for 50/150 lb. Stored Pressure Wheeled/Stationary Halon 1211 Extinguisher Models

695 - 50lb. 600 - 150lb.
611 - 50lb. STA 610 - 150lb. STA



ITEM NO.	PART NO.	DESCRIPTION
1	06200	Valve Assembly Complete with Downtube - 695, 611
1A	03499	Valve Assembly Complete with Downtube - 600, 610
2	06072	Downtube/Retainer Assembly - 611, 695
2A	04938	Downtube/Retainer Assembly - 600, 610
3	06624	Carriage Assembly without Wheels - 695
3A	10523	Carriage Assembly without Wheels - 600
4	00155	Pressure Valve Assembly and Cap
5	06379	Hose Support with Mounting Hardware and Nozzle Mount - 611, 695
5A	06061	Hose Support with Mounting Hardware and Nozzle Mount - 600, 610
6	06380	Nozzle Clip with Hardware - 50lb. (Older Models)
7	06376	Nozzle Mount with Hardware - 695
7A	06130	Nozzle Mount with Hardware - 600
8	03624	Nameplate (Label) Non U/L - Model 600
8A	17111	Nameplate (Label) Non U/L - Model 695
8B	07480	Pictogram - 695, 611
8C	07481	Pictogram - 600, 610
9	06381	Wheel Assembly - 12 1/2" with Hub Cap, Washer and Retaining Pin - 695
9A	06062	Wheel Assembly - 16" with Hub Cap, Washer and Retaining Pin - Full Pneumatic - 600 (Green)
	07778	Wheel Assembly - 16" with Hub Cap, Washer and Retaining Pin - Semi-Pneumatic - 600
10	04945	Hub Cap - 695, 600
11	06373	Valve Lever ("T" Handle - Complete) - 695, 611
12	06059	Valve Lever with Screws - 600, 610
13	03562	Gauge Guard Assembly - 600, 610
14	03523	Gauge - 200 PSI - ALL
15	06100	Ring Pin, Stainless Steel with Wire - ALL
15A	00532	Chain (Nylon) for Ring Pin 695/611
	00160	Ring Pin Stainless Steel
16	01387	Lock Wire Seal (Yellow)
17	06153	Valve Body - 695, 611
17A	03678	Valve Body - 600, 610
18	06060	Cam Assembly with O-Rings - 600, 610
19	03787	Safety Disc Assembly - 600, 610
	13956	Protective Vinyl Cap
19A	05404	Decal Press VS. Temp. 600/610
20	05240	Collar O-Ring - 695, 611
20A	05239	Collar O-Ring - 600, 610
21	06022	Valve Stem Assembly - 695, 611
21A	05067	Valve Stem Assembly - 600, 610
22	00383	Spring - 695, 611
22A	03556	Spring - 600, 610
23	06015	Hose Assembly - 25 ft. with Gasket - 695, 611
	03501	Hose Assembly - 50 ft. - 600, 610
24	06031	Ball Valve Assembly - 695, 611
	06279	Ball Valve Assembly - 600, 610
25	03877	Gasket, Hose/Valve - 600, 610
25A	06056	Gasket, Valve - 695, 611
	03877	Gasket, Hose/Valve - 600, 610
25B	07247	Gasket, Hose - 695, 611
	03877	Gasket, Hose/Valve - 600, 610
26	06032	Nozzle Tip (.265) - 695, 611
	06355	Nozzle Tip (.375) - 600, 610
27	06395	Nozzle Assembly (Ball Valve & Tip) - 695, 611
27A	05295	Nozzle Assembly (Ball Valve & Tip) - 600, 610
28	06370	Plug, Pipe for Agent Level Indicator Hole - 600, 610 (Older Models)
29	03506	Cylinder

Replacement Valve Assemblies include New Valve Body, Gauge, (Gauge Guard, Safety Disc Assembly, Cam - Model 600, 610), Pressure Valve & Cap, Lever, Valve Stem Assembly, Spring and Downtube/Retainer Assembly

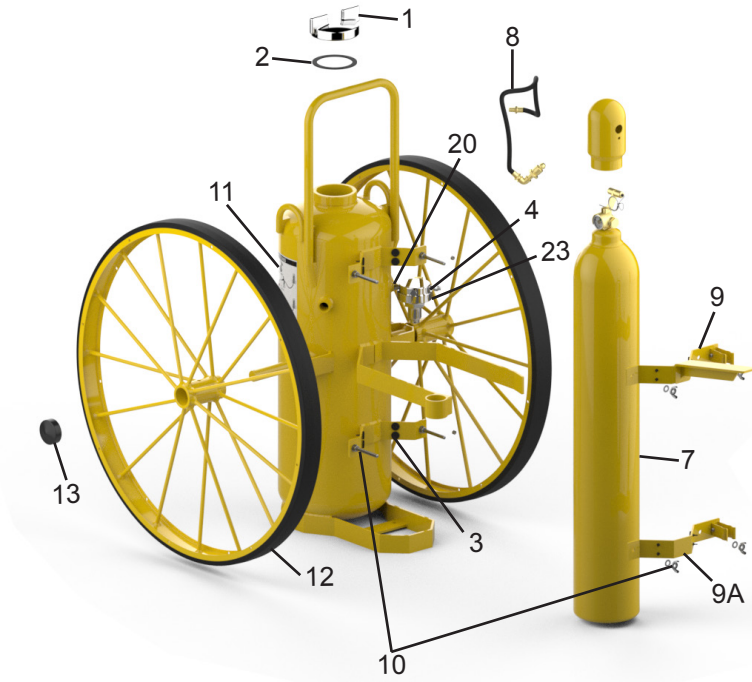


PARTS LIST

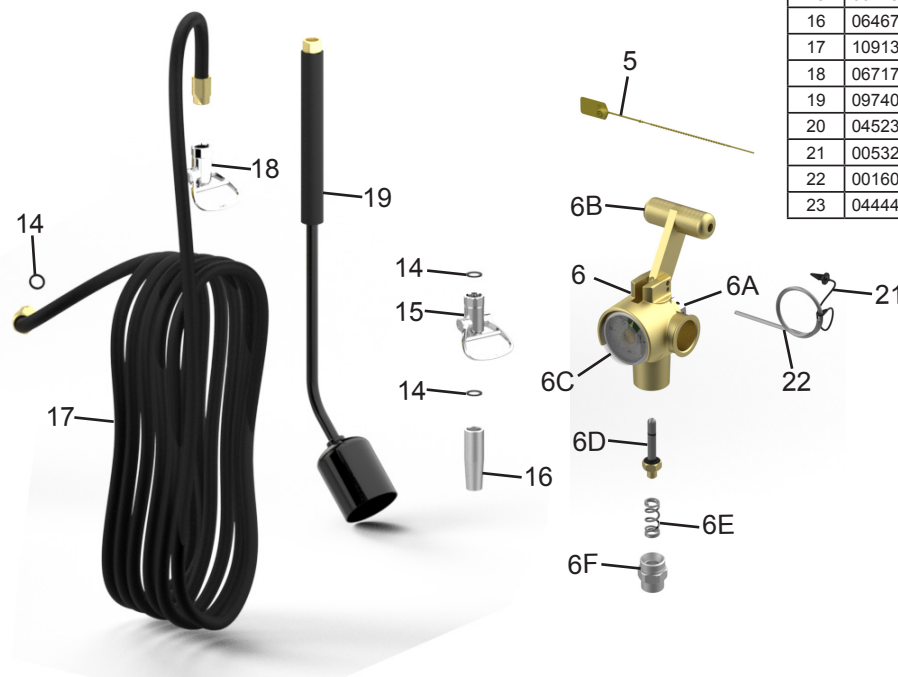
for

150/250 lb. Class D 110 CU. FT. Argon Cylinder Wheeled Extinguisher Models

680 - 150 lb. Sodium Chloride
681 - 250 lb. Copper



ITEM NO.	PART NO.	DESCRIPTION
1	06993	Cap, Agent Cylinder
	12576	Cap, Agent Cylinder with Pressure Indicator
2	02272	Gasket, Cap
3	13958	Bumper, Rubber
4	10915	Argon Pressure Regulator
5	01387	Lock Wire Seal (Yellow)
6	12467	Argon Valve with Gauge ("T" Handle Quick Release)
6A	16516	Safety Disc, Gasket and Nut Assembly
6B	06373	Valve Lever ("T" Handle - Complete)
6C	10213	Gauge - 3000 PSI
6D	09897	Valve Stem Assembly
6E	00501	Spring
6F	09627	Retainer
7	10904	Argon Cylinder (110 cu. ft.) - Charged with Cap
8	02234	Argon Hose Assembly
9	10906	Retaining Strap with Hose Hanger
9A	11020	Retaining Strap (Bottom) - Argon Cylinder
10	16483	Bolt, Washer and Wing Nut
11	10910	Pictogram - 680, 681
12	10917	Wheel Assembly - 36" x 2 1/2" with Rubber Tread
13	16984	Hub Cap - 36" Wheels
	07389	Hub Cap, Washer and Pin - 36" Wheels
14	03877	Gasket, Hose/Nozzle
15	06279	Ball Valve Assembly
16	06467	Nozzle Tip (.312) (OPTIONAL)
17	10913	Hose Assembly - 3/4" x 25 ft.
18	06717	Ball Valve Assembly
19	09740	Wand Applicator Assembly
20	04523	1/4" SS Pipe Nipple
21	00532	Chain (Nylon) for Ring Pin
22	00160	Ring Pin Stainless Steel
23	04444	1/4" MXF Elbow





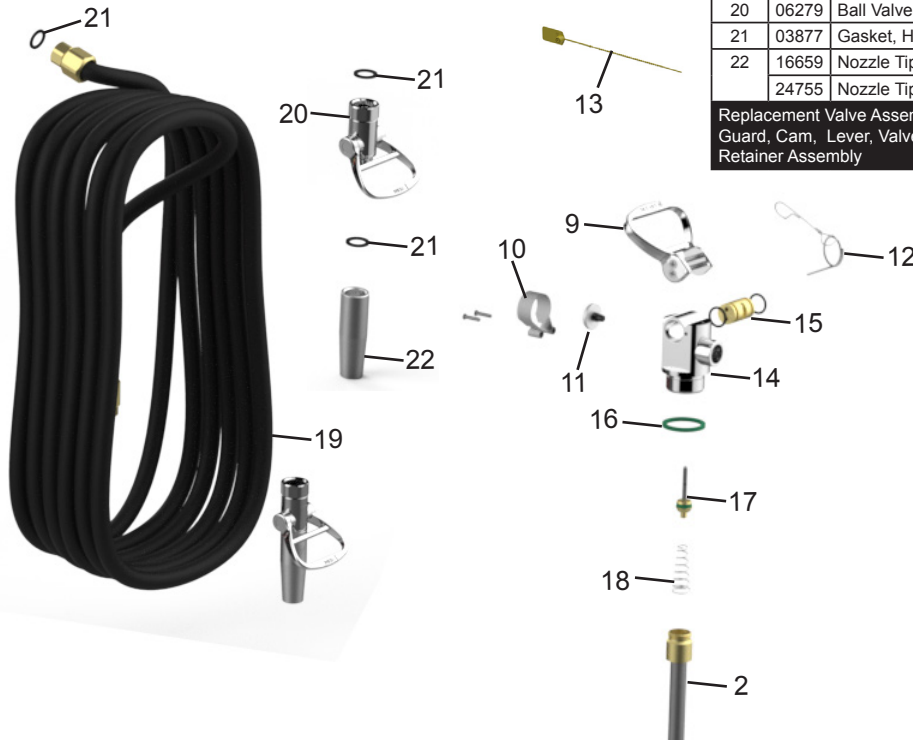
PARTS LIST for 65 lb. Stored Pressure Wheeled Halotron I Extinguisher Models

673 - 16" Semi-Pneumatic Galvanized Wheels
B673 - 16" Semi-Pneumatic Non-Galvanized Wheels



ITEM NO.	PART NO.	DESCRIPTION
1	16661	Valve Assembly Complete with Downtube 673
	24760	Valve Assembly Complete with Downtube B673
2	04938	Downtube/Retainer Assembly 673
	24795	Downtube/Retainer Assembly B673
3	16724	Carriage Assembly without Wheels
4	16690	Hose Support with Mounting Hardware
5	06130	Nozzle Mount with Hardware
6	07481	Pictogram
7	07751	Wheel Assembly - 16" with Hub Cap, Washer and Retaining Pin - Semi-Pneumatic 673 (optional B673)
	23823	Wheel Assembly - 16" with Hub Cap, Washer and Retaining Pin - Semi-Pneumatic B673 (optional 673)
8	04945	Hub Cap
9	06059	Valve Lever with Screws
10	16723	Gauge Guard Assembly
11	14417	Gauge - 100 PSI
12	06100	Ring Pin, Stainless Steel with Wire
13	01387	Lock Wire Seal (Yellow)
14	16666	Valve Body 673
	22979	Valve Body B673
15	06060	Cam Assembly with O-Rings
16	16664	Collar O-Ring
17	16668	Valve Stem Assembly 673
	23811	Valve Stem Assembly B673
18	03556	Spring 673
	22983	Spring B673
19	03501	Hose Assembly - 3/4" x 50'
20	06279	Ball Valve Assembly
21	03877	Gasket, Hose/Nozzle
22	16659	Nozzle Tip (.395) 673
	24755	Nozzle Tip (.330) B673

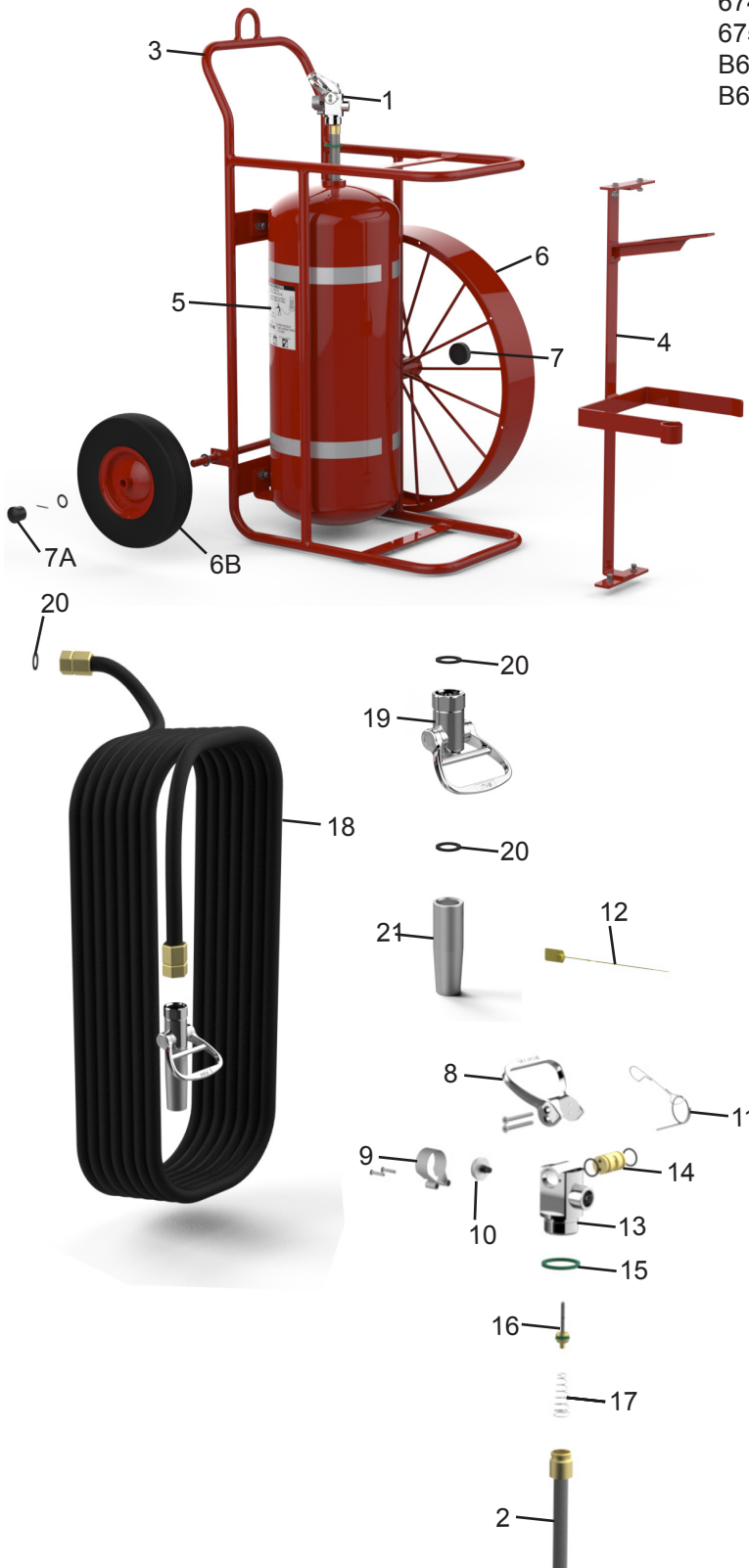
Replacement Valve Assemblies include Valve Body, Gauge, Gauge Guard, Cam, Lever, Valve Stem Assembly, Spring and Downtube/Retainer Assembly





PARTS LIST for 150 lb. Stored Pressure Wheeled Halotron I Extinguisher Models

674 - 16" Semi-Pneumatic Galvanized Wheels
 675 - 36" x 6" Steel Wheels
 B674 - 16" Semi-Pneumatic Non-Galvanized Wheels
 B675 - 36" x 2 1/2" Steel w/ Rubber Tread Wheels



ITEM NO.	PART NO.	DESCRIPTION
1	16677	Valve Assembly Complete with Downtube 674, 675
	23808	Valve Assembly Complete with Downtube B674, B675
2	16726	Downtube/Retainer Assembly 674, 675
	23809	Downtube/Retainer Assembly B674, B675
3	16727	Carriage Assembly without Wheels 674
4	16725	Hose Support with Mounting Hardware
5	07481	Pictogram
6	07026	Wheel Assembly - 36" x 6" - 675 (Optional B675)
6A	07050	Wheel Assembly - 36" x 2 1/2" - B675 (Optional 675)
6B	07751	Wheel Assembly - 16" with Hub Cap, Washer and Retaining Pin - Semi-Pneumatic - Galvanized - 674 (Optional B674)
	23823	Wheel Assembly - 16" with Hub Cap, Washer and Retaining Pin - Semi-Pneumatic - Non-Galvanized - B674 (Optional 674)
7	16984	Hub Cap for 36" Wheels
	07389	Hub Cap for 36" Wheels with Washer and Cotter Pin
7A	04945	Hub Cap
8	06059	Valve Lever with Screws
9	16723	Gauge Guard Assembly
10	14418	Gauge - 125 PSI 674, 675
	16332	Gauge - 150 PSI B674, B675
11	06100	Ring Pin, Stainless Steel with Wire
12	01387	Lock Wire Seal (Yellow)
13	16666	Valve Body 674, 675
	22979	Valve Body B674, B675
14	06060	Cam Assembly with O-Rings
	16664	Collar O-Ring
16	16668	Valve Stem Assembly 674, 675
	23811	Valve Stem Assembly B674, B675
17	16679	Spring 674, 675
	22983	Spring B674, B675
18	03501	Hose Assembly - 3/4" x 50'
19	06279	Ball Valve Assembly
20	03877	Gasket, Hose/Nozzle
21	16674	Nozzle Tip (.687) 674, 675
	23665	Nozzle Tip (.692) B674, B675

Replacement Valve Assemblies include Valve Body, Gauge, Gauge Guard, Cam, Lever, Valve Stem Assembly, Spring and Downtube/Retainer Assembly

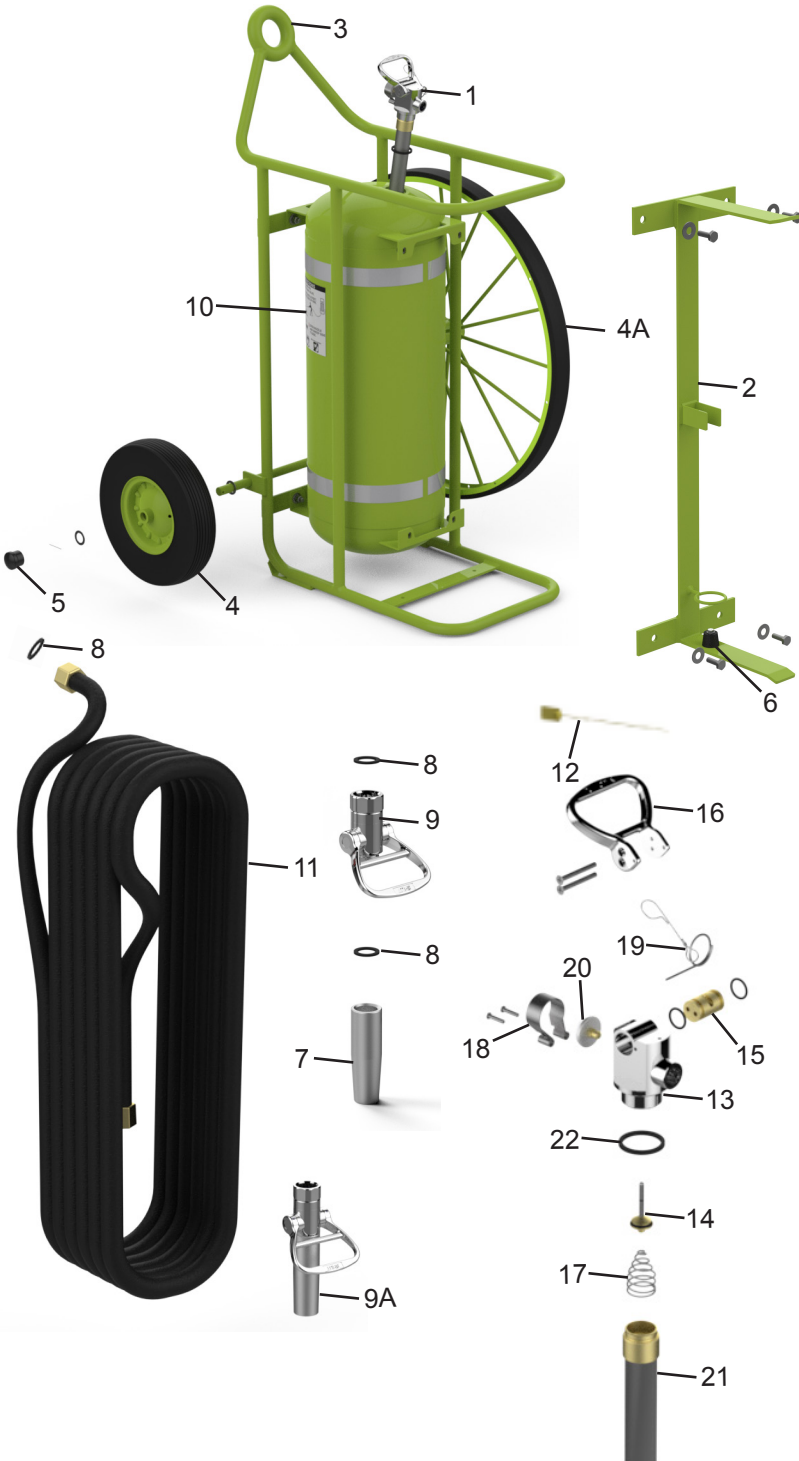


B675 Standard
675 Optional



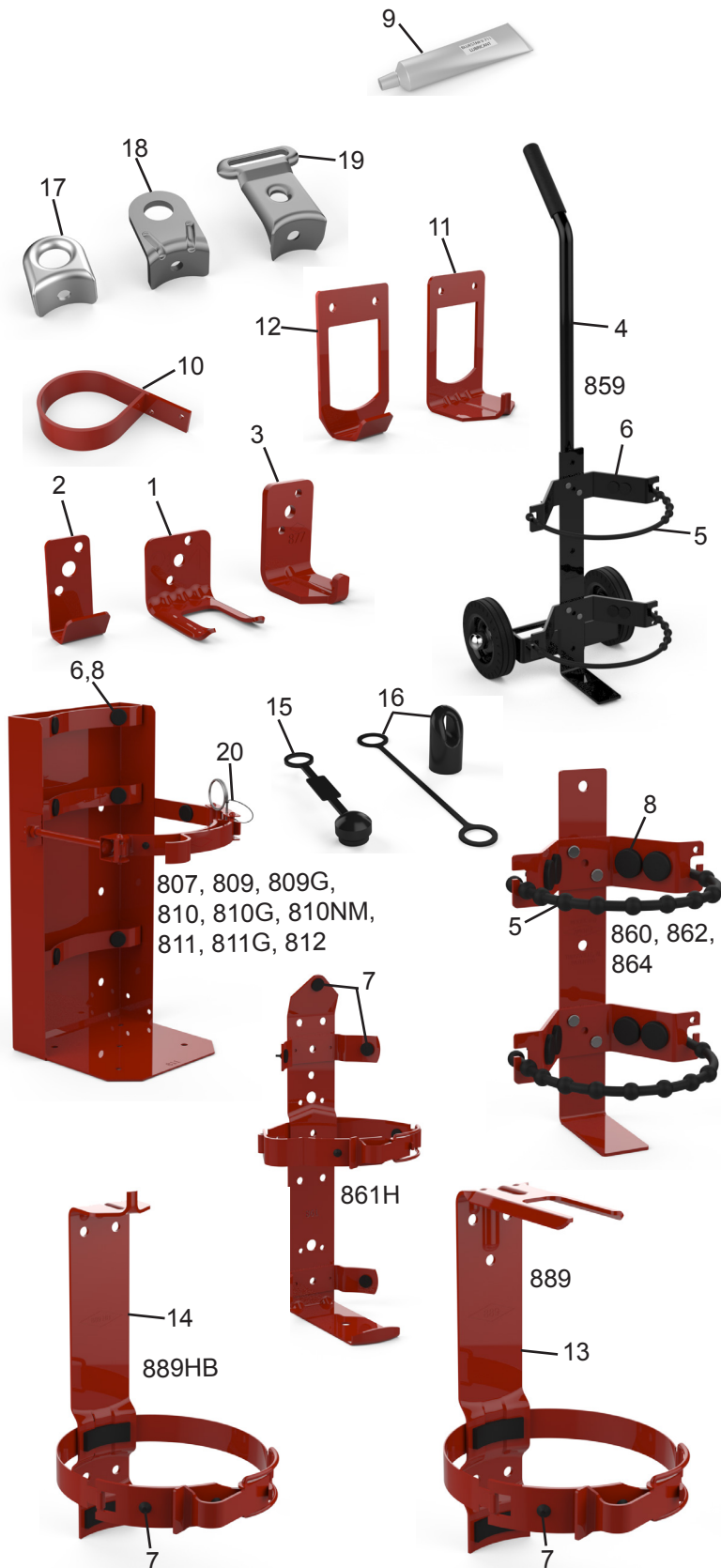
PARTS LIST for 150lb. Stored Pressure Wheeled Novec 1230 Extinguisher Models

775 - 150lb. 16" Wheels
776 - 150lb. 36" Wheels



ITEM NO.	PART NO.	DESCRIPTION
1	22978	Valve Assembly 150 Novec
2	21941	Hose Support w/ Hardware
3	21920	Carriage Assembly 150 Novec GR 775
	23633	Carriage Assembly 150 Novec GR 776
4	06062	Wheel Assembly 16" Pneumatic w/ Hardware
	07778	Wheel Assembly 16" Semi-Pneumatic w/ Hardware
4A	23632	Wheel Assy 36" x 2.5 Steel w/ Hardware
5	04945	Hub Cap Black 16" Wheel
	16984	Hub Cap Black 36" Wheel
	07389	Hub Cap and Washer, Pin for 36" Wheel
6	06130	Mount Rubber w/ Hardware
7	19793	Nozzle Tip .531
8	03877	Gasket
9	06279	Ball Valve Assembly 150
9A	23634	Nozzle Assembly (Ball Valve and Tip) .531
10	07481	Pictogram
11	23544	Hose Assembly 1" x 40'
12	01387	Tamper Seal
13	22979	Valve Body
14	22984	Valve Stem Assembly
15	06060	Cam w/ Orings
16	06059	Valve Lever w/ Screws
17	22983	Valve Spring
18	16723	Gauge Guard Assembly
19	06100	Pull Pin and Wire
20	19789	Gauge 125 Novec
21	19787	Downtube Assembly
22	05239	Collar Oring

Replacement Valve Assemblies include Valve Body, Gauge, Gauge Guard, Lever, Valve Stem Assembly, Spring, Pull Pin/Wire and Downtube/Retainer Assembly



Wall Brackets Miscellaneous Items

PART NO.	PART NO.	DESCRIPTION
1	04834	Wall Hanger Bracket (Red) - All 1 lb., 1¼ lb., 1.4 lb., 2½ lb., 3 lb. Aluminum Valve Models
	01521	Wall Hanger Bracket (Red) - All 5 lb. & 5½ lb. Aluminum Valve Models
	05525	Wall Hanger Bracket (Red) - All 6 lb. & 10 lb. Tall Aluminum Valve Models
2	01007	Wall Hanger Bracket (Red) - 240, 250, 252, 254, 361*, 369, B371, 372*, 408*, 415*, 419*, 423*, 424, B441, B447, B460, 461, 462, A411*, A412*, A413*, 260, 262, B260, B262, 720, 721, 722 (* For extinguishers manufactured before 2004)
	14315	Wall Hanger Bracket (Stainless Steel) - Non-Magnetic - 270, 272, B270, B272
3	09582	Wall Hanger Bracket (Red) - All 13.2 lb (6Kg) and 20 lb. High Performance
	09581	Wall Hanger Bracket (Red) - 30 lb. High Performance
	00546	Wall Hanger Bracket (Red) - 322, B369, B371, B441, B447, B443, B456, B457, B460, B461, B462, B459, 720, 721, 722
	00575	Wall Hanger Bracket (Red) - 330, 331, 397, 398, 419*, 668 (* For extinguishers manufactured 2004 or later)
	17737	Wall Hanger Bracket 322NM
	00577	Wall Hanger Bracket (Red) - 408*, 415*, 423*, A411*, A412*, A413*, 361*, 372*, B570, B571, 692, 693, 760, 761, 762 (* For extinguishers manufactured 2004 or later)
	22290	Wall Hanger Bracket (Red) - 332
	22885	Wall Hanger Bracket - 320NM
16591	Wall Hanger Bracket (Red) - B424, 320, 321 & All 5 lb. and 5.5 lb. Aluminum Valve Models	
Miscellaneous Items		
4	08289	859 Dolly Cart 7" and 8" Diameter
5	07166	Rubber Strap - 860 & 862 Brackets
	07802	Rubber Strap - 864 & 874 Brackets, 859 Dolly
6	01990	Bumper, Rubber Grommet - 807, 809, 810, 811, 812, 860, 896
7	06858	Bumper, Rubber Grommet - 861H, 846, 889, 889HB, 896
8	13958	Bumper, Rubber Grommet - 810G, 811G, 862, 864, 874, 859, 895, 879
9	06247	Bluestar V-711 Lubricant (5 oz.)
10	01427	Horn Holder - 330, 331, 332 (Attaches to 810 and 811 Brackets)
	06584	Horn Holder - 331 (Attaches to 810NM Brackets)
11	16536	Bracket Adapter - Cartridge Unit to Stored Pressure 6 Kg & 20 lb. High Performance
	16538	Bracket Adapter - Cartridge Unit to Stored Pressure 30 lb. High Performance
	16596	Bracket Adapter - "J" Hook to Pin Hook 5 lb.
	16598	Bracket Adapter - "J" Hook to Pin Hook 6 - 10 lb.
	16594	Bracket Adapter - "J" Hook to Pin Hook 20 lb.
12	16537	Bracket Adapter - Cartridge Unit to Stored Pressure Standard "J" Hook Style Wall Bracket
13	16831	889 Bracket Assembly - 10 lb. 5" Dia. "Fork" Style
14	17148	889HB Bracket Assembly - 10 lb. 5" Dia. "Pin Hook"
15	12184	Protective Blowoff Cap Aluminum Valve Nozzles
16	22929	Protective Blowoff Cap B402 and High Performance Horns
17	14220	Aluminum Valve Hanger Loop w/ screw
	16694	Brass Valve Hanger Loop w/ screw 5lb., 5 1/2lb., 6lb., 20lb.
18	09584	High Performance Hanger Loop w/ screw
	17144	Class D Hanger Loop w/ screw
	14380	Foam, Water Mist, Wet Chemical Hanger Loop w/ screw
19	15363	Brass Valve Hanger Loop w/ screw 10lb., 13lb.
20	13888	Pull Pin and Chain Box Type Brackets
	04488	Adhesive, Silicon (3oz.) - Foot Stand All Stainless Steel Extinguishers (Not Shown)